

**M12-Round-Plug Connector, Single-Ended Cordsets,  
According to IEC 61076-2-101 for Robotic Applications**

RKT | RKWT

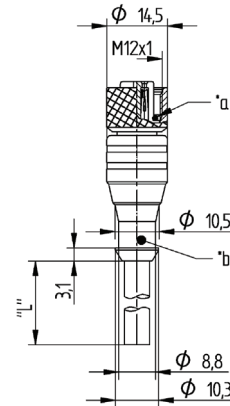


**4-Poles**

Actuator/sensor cordset, single-ended, M12, 4-poles, female straight connector with threaded joint and molded cable, connecting to knurled screw.

— especially designed for use in Robotic applications —

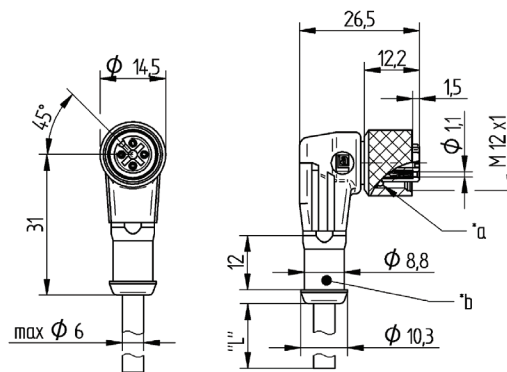
RKT



Actuator/sensor cordset, single-ended, M12, 4-poles, female 90° connector with threaded joint and molded cable, connecting to knurled screw.

— especially designed for use in Robotic applications —

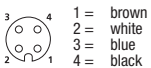
RKWT



**Pin Assignments**

**M12 - Male**

**4 poles**





## M12-Round-Plug Connector, Single-Ended Cordsets, According to IEC 61076-2-101 for Robotic Applications RKT | RKWT

### Technical Data

#### Environmental

Degree of protection (IEC 60529)\* IP67, IP68 (15m / 48h & 100m / 2h)  
 Operating temperature range -40°C to +85°C

#### Mechanical

Housing / Molded body TPU - translucent  
 Insert (contact bearer) TPU, orange  
 Contact CuSn  
 Contact surface Cu/Au  
 Knurled nut CuZn, nickel-plated  
 O-ring FKM

#### Electrical

Rated voltage 250V AC/DC  
 Rated current\* 4 A

#### Additional technical data

Fastening torque (coupling nut) M 12x1: (40-60) Ncm, hand-tight

### Cable Specifications

Cable No.	Outer Jacket	Conductor Size	Jacket Color	OD
500	PUR	22 AWG stranded	black	5.10 mm nominal

Cordsets  
Single-Ended

Part Number	Pins	Outer Jacket	Standard Cable Lengths	Characteristics
<b>Male Straight</b>	<b>Male 90°</b>			
RKT 4-500/...M	RKWT 4-500/...M	4	PUR	2 M / 5 M / 10 M / 15M / 20M

