

# FWA-6172

## 2U Rackmount Network Appliance with Dual 4th Generation Intel® Xeon® Scalable Processors for Gateway and NGFW



### Features

- Up to 52 cores per socket with overall cores x frequency improvement for dynamic network processing
- Up to 16 DDR5 RDIMM memory with increased speed to boost computing capability
- Expandable Ethernet capability via Advantech Network Mezzanine Card (NMC) with up to 200GbE bandwidth per slot
- High availability system with redundant design such as PSU, fan, storage, BIOS, and BMC solutions
- Advantech IPMI 2.0 platform management with Redfish compliance

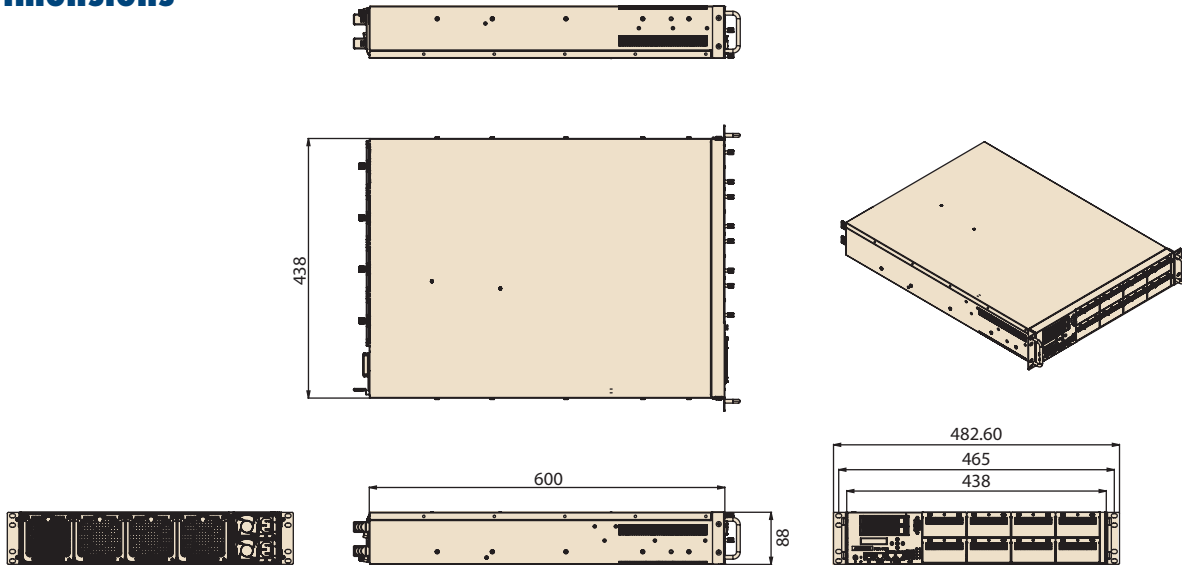


### Specifications

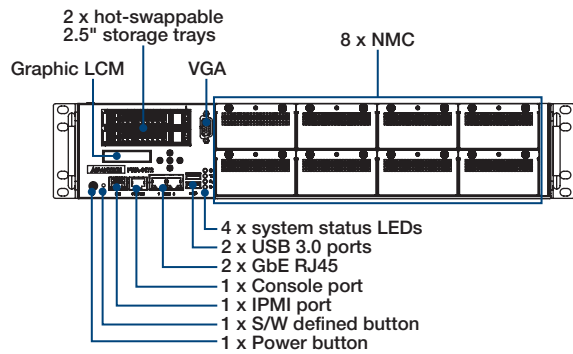
|                        |                                  |  |
|------------------------|----------------------------------|--|
| System P/N             |                                  | FWA-6172-00A1R   |
| Form Factor            |                                  | 2U Rack Mount  |
| Processor System       | Processor                        | 4th Generation Intel® Xeon® Scalable Processors  |
|                        | Core Count                       | Up to 52C  |
|                        | Base Frequency                   | Up to 3.7 GHz  |
|                        | Chipset                          | C741   |
|                        | BIOS                             | AMI UEFI   |
| Virtualization         |                                  | Intel® VT-Redirect Protection, Intel® S-IOV  |
| Memory                 | Technology                       | DDR5   |
|                        | Max. Capacity                    | 1024 GB (64 GB per slot)   |
|                        | Socket                           | 16 x 288-pin DIMM  |
|                        | ECC Support                      | RDIMM  |
| Networking             | Controller                       | 2 x Intel i210   |
|                        | 1GbE                             | 2 x 1GbE RJ45  |
| Expansion Slot         | PCIe x16                         | 1 x PCIe Gen5 x16 double-deck 10.5" or 2 x PCIe Gen5/Gen4 x16 FH/HL  |
|                        | NMC                              | 8 x PCIe Gen5 x8   |
| IPMI                   |                                  | IPMI 2.0 and Redfish compliant   |
| Storage                | 2.5" Bay                         | 2 x External 2.5" HDD/SSD  |
|                        | M.2                              | 2 x M.2 2280 E-Key for SATA SSD or PCIe Gen3 x4 NVMe   |
| I/O                    | Console                          | 1 x RJ45 type console  |
|                        | USB                              | 2 x USB 3.0  |
|                        | LED Indicator                    | 1 x Power LED, 1 x Alert LED, 1 x Locate LED, 1 x Software-defined LED   |
|                        | Display                          | 1 x VGA port   |
|                        | Button                           | 1 x Power button, 1 x Software-defined button  |
|                        | Others                           | 1x dedicated 1GbE LAN for IPMI   |
| TPM                    |                                  | TPM 2.0  |
| LCD Module             |                                  | 16 x 2 graphic display, 5 buttons  |
| Power Supply           | Power Type                       | AC Redundant CRPS (Option: DC Redundant CRPS)  |
|                        | Watts                            | 1200 W   |
|                        | Input                            | AC: 100-240V~, 8-4A, 50-60Hz (Option: DC -48V)   |
|                        | Connector                        | AC 3pin plug   |
| Environment            | Operating Temperature            | 0 ~ 40 °C (32 ~ 104 °F)  |
|                        | Non-operating Temperature        | -40 ~ 70 °C (-40 ~ 158 °F), 60 °C@95% Non-Condensing Humidity  |
|                        | Vibration Resistance (Operation) | 5-500 Hz, 0.3 Grms, 3 axes, 1 hr/per axis  |
|                        | Shock Protection (Operation)     | 10 G, 11 ms  |
| Cooling                |                                  | 4 x Hot swap 8038 mm fan   |
| Mechanical             | Construction                     | SECC   |
|                        | Mounting                         | Rackmount  |
|                        | Dimensions (W x H x D)           | 438 x 88 x 600 mm (17.2" x 3.4" x 23.6")   |
|                        | Weight (G.W.)                    | 21.5 kg (47.4 lbs)   |
| OS Support             |                                  | Linux (CentOS, Red Hat, Ubuntu, Fedora)  |
| Advantech S/W Packages |                                  | <ol style="list-style-type: none"> <li>ALBPCU</li> <li>APOECU</li> <li>ipmitool</li> <li>Server iManager (Linux base) <ul style="list-style-type: none"> <li>Health Guard</li> <li>Diagnostic Framework</li> <li>Network device identifier (NDI)</li> </ul> </li> <li>Quick Start Linux Image</li> </ol> |
| Certification          | EMC/Safety                       | CE, FCC, CB, UL, CCC   |

## Dimensions

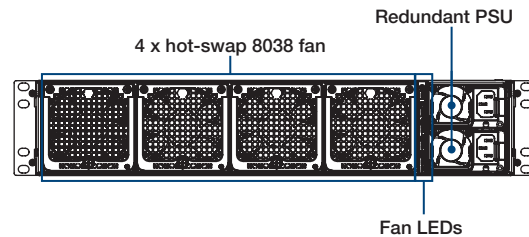
Unit: mm



### Front Panel External I/O Mechanical Layout/Drawing



### Rear Panel External I/O Mechanical Layout/Drawing



## Ordering Information

| Part Number    | Processor  | DDR5 | PCH  | QAT        | NMC Slot | PCIe Slot | Storage Bay | USB3.0 | IPMI Port | Console Port | LAN Port |        |          | System Fan | PSU |
|----------------|--|------|------|------------|----------|-----------|-------------|--------|-----------|--------------|----------|--------|----------|------------|-----|
|                |  |      |      |            |          |           |             |        |           |              | 1G RJ45  | 1G SFP | 10G SFP+ |            |     |
| FWA-6172-00A1R | Dual socket for 4th Gen. Intel® Xeon scalable processors | 16   | C741 | By CPU SKU | 8        | 2         | 2           | 2      | 1         | 1            | 2        | 0      | 0        | 4          | 2   |

## Packing List

| Part Number   | Description                    |
|---------------|--------------------------------|
| 1700020691-01 | M CABLE D-SUB 9P(F)/RJ45 220cm |

## Optional Accessories

| Part Number      | Description   |
|------------------|---|
| 1702002600       | Power cord 3P 180 cm, USA                                       |
| 1702002605       | Power cord 3P 180 cm, Europe                                    |
| 1702031801       | Power cord 3P 180 cm, UK  |
| 1700000237       | Power cord 3P 180 cm, JP  |
| 1700009652       | Power cord 3P 180 cm, China                                     |
| 1930008928       | Screws for slide rail installation (Order 10 pieces per system) |
| 968DE00026       | Slide rail for post to post dimension 558.9 - 850.9mm           |
| FWA-3050-800WPSU | 800W DC Power kit   |
| 1700027334-01    | USB for RJ45 console cable, 190cm                               |