

# IB08017X



## Technical data :

Rated operating distance (Sn)	2 mm (*)
Mounting mode	Flush
(*) Assured operating distance Sa = 1,44 mm	
Output type	PNP
Function	NO
Operating voltage	10...30 V DC
Operating current	100 mA
No-load consumption	< 10 mA
Voltage drop	< 2 V
Residual current	< 70 µA
Ambient temperature range	0...85 °C
Hysteresis	3...15 %
Repeatability	< 5 %
Switching frequency	1 kHz

## Protection :

Reverse polarity protection	
Short-circuit protection	
Overload protection	
IEC 61000-4-2 (ESD)	4 kV contact / 8kV air
IEC 61000-4-4 (Burst)	2kV / 5kHz
IEC 61000-4-6 (RF conducted)	3V 150kHz...80MHz
Welding environment compatible	
Protection degree	IP67

## Materials :

Housing	Steel, PTFE coated
Sensing face	Ceramic

## Status indication :

Output / Power	Yellow LED / Green LED
----------------	------------------------

## Connection :

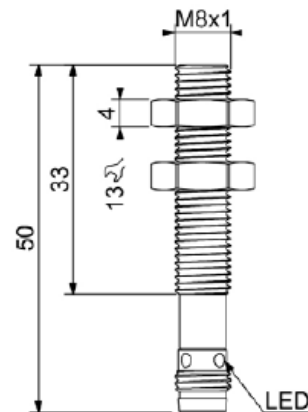
Connector	M8
-----------	----

## Accessories (included) :

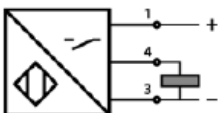
2 PTFE coated brass fixing nuts



## Dimensions :



## Connection diagram :



## Pin assignment :

