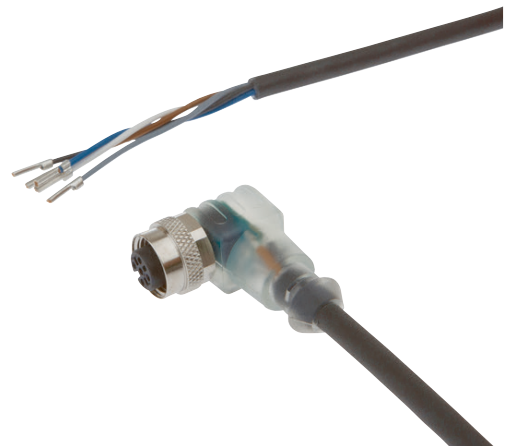


## VKA00821

### CONNECTION TECHNOLOGY • CABLE SOCKETS /CONNECTORS ONE-SIDED PRE-ASSEMBLED

ipf cable sockets are used primarily for establishing the electrical connection of sensors. Their features are characterized by rugged design, the highest protection classes (IP67 | IP68 | IP69K) and, if desired, with 360° shielding. With the features: bus-ready, suitable for use with drag chains and robots, resistance to oil and chemicals, resistance to welding sparks, their resistance to cleaning agents or high-pressure and steam-jet cleaning, the expanded temperature range of up to +230°C, the rapid interconnection technology and special data transmission properties, the cable sockets meet all requirements in automation technology.



#### MECHANICAL DATA

Ambient temperature (MAX)	90 °C
Ambient temperature (MIN)	-30 °C
Cable length	10 m
Contact body material	CuSn
Contact coating material	Gold
Degree of protection (IP)	IP67
Housing material	TPU
Material of cable sheath	PUR (Polyurethane)
Max. tightening torque	1 Nm
Number of wires	5
Perm. ambient temperature of cable, fixed cable (MAX)	90 °C
Perm. ambient temperature of cable, fixed cable (MIN)	-40 °C
Perm. ambient temperature of cable, flexible cable (MAX)	90 °C
Perm. ambient temperature of cable, flexible cable (MIN)	-30 °C
Positioning of cable feed, field side	Angled
Positioning of cable feed, housing side	Straight
Suitable for trailing chain	Yes
Wire assembly	42 x 0.1mm
Wire cross section	0.34 mm <sup>2</sup>

#### ELECTRICAL DATA

Ampacity	4 A
Flow resistance	5 mOhm
Line diameter	5.2 mm
Nominal supply voltage	30 V
Number of pins	5
Rated current I <sub>n</sub>	4 A
Rated voltage	30 V
Type of electrical connection, field side	M12
Type of electrical connection, housing side	Free conductor end
Type of plug-in contact, field side	Female (socket)

## ELECTRICAL DATA

With LED display	Yes
------------------	-----

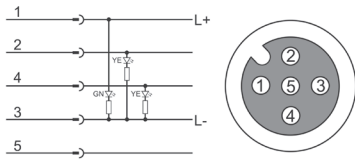
## OPTICAL DATA

Degree of soiling	3
-------------------	---

## OTHER DATA

Flame resistant	In accordance with EN 60332-2-2
Free of LABS	Yes
Halogen-free	Yes
Hydrolysis-proof	Yes
IR-networked	No
Oil and cooling lubricants	Yes
Ozone and UV-resistant	Yes
RoHS-compliant	Yes
Silicone-free	Yes
Suitable for trailing chain and torsion resistant	Yes
Welding area	Yes

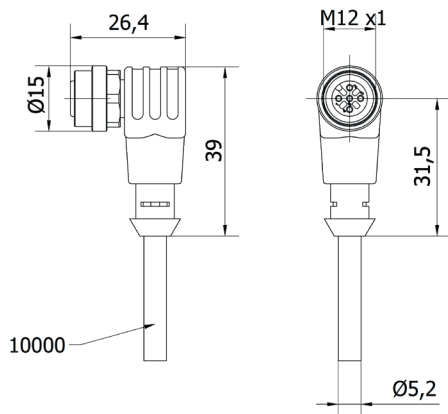
## CONNECTION



**Colors:** 1 = BN (brown), 2 = WH (white), 3 = BU (blue), 4 = BK (black), 5 = GY (gray)

**Functions:**

## DIMENSIONAL DRAWING



## INSTALLATION



Mounting / Installation may only be carried out by a qualified electrician!

## DISPOSAL



## SAFETY WARNINGS

Before initial operation, please make sure to follow all safety instructions that may be provided in the product information!

Never use these devices in applications where the safety of a person depends on their functionality.