

AV000084

ACCESSORIES • MOUNTING



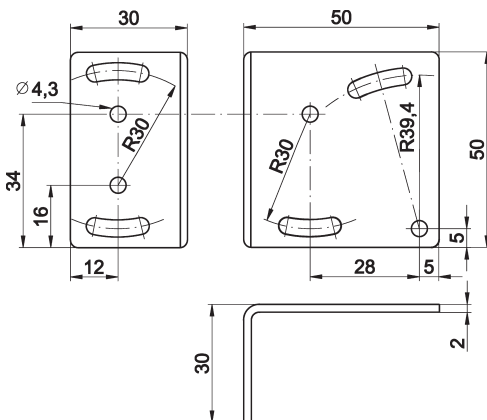
MECHANICAL DATA

Diameter/width of the fastening holes for sensor	4.3 mm
Height	50 mm
Length	30 mm
Material	Steel
Mounting type	Screw
Number of boreholes	4
Number of oblong holes	4
Surface	Zinc coated
Version	Mounting angle bracket
Weight	54 kg
Width	84 mm

OTHER DATA

Scope of delivery	Angle
-------------------	-------

DIMENSIONAL DRAWING



INSTALLATION

DISPOSAL



Mounting / Installation may only be carried out by a qualified electrician!



SAFETY WARNINGS

Before initial operation, please make sure to follow all safety instructions that may be provided in the product information!

Never use these devices in applications where the safety of a person depends on their functionality.