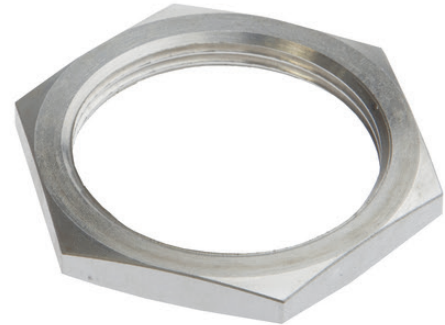
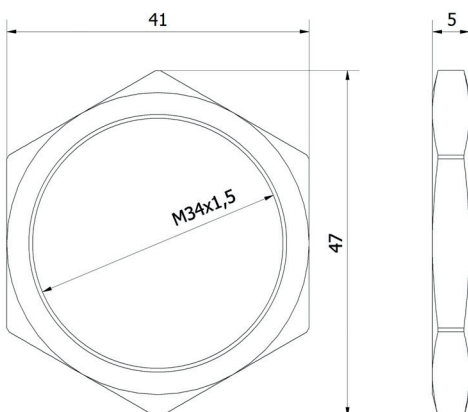


**AY000149****ACCESSORIES • MOUNTING****MECHANICAL DATA**

Height	5 mm
Material	Aluminium
Thread pitch	1.5 mm
Thread size, metric	34
Wrench size	41 mm

**OTHER DATA**

Halogen-free	No
--------------	----

**DIMENSIONAL DRAWING****INSTALLATION**

Mounting / Installation may only be carried out by a qualified electrician!

**DISPOSAL****SAFETY WARNINGS**

Before initial operation, please make sure to follow all safety instructions that may be provided in the product information!

Never use these devices in applications where the safety of a person depends on their functionality.