

## AE000015

### LED-LIGHTS • ADDITIONAL LIGHTS FOR CAMERA SYSTEMS

#### MECHANICAL FEATURES

Cover type	Opal
Diameter	79 mm
Height	21.5 mm
Material	Acrylic glass
Type of accessory	Diffusor

#### OPTICAL FEATURES

Transparency	45 %
--------------	------

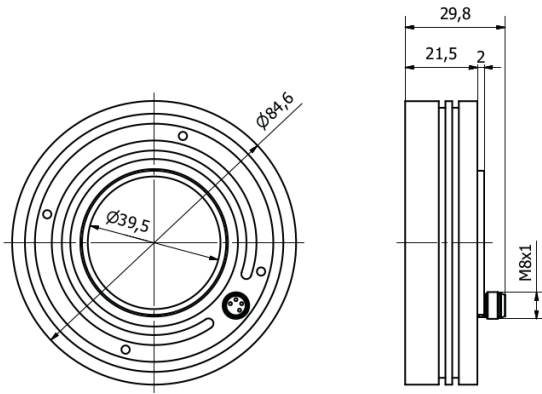
#### Other

Packaging dimensions	0.0mm x 0.0mm x 0.0mm
Shipping weight	
Tariff code	94059190

#### Classification

ipf product group	915
eClass 8.0	27310204
eClass 9.0	27310204
eClass 9.1	27310204
ETIM-5.0	EC002558
ETIM-6.0	EC002558
ETIM-7.0	EC002558

#### Connection

**Dimensional drawing****Installation**

Mounting / installation may only be carried out by a qualified electrician!

**Disposal****Software**

Please download the software or driver required for operating your new device on our homepage: [www.ipf.de](http://www.ipf.de)

**Safety warnings**

Before initial operation, please make sure to follow all safety instructions that may be provided in the product information. Never use these devices in applications where the safety of a person depends on their functionality. LED lighting systems can generate intensive UV radiation, which can damage your eyes in case of improper use. The manufacturer cannot be held responsible for damages that result from improper use or connection.