

## AO000543

### ACCESSORIES • LENSES

Entocentric lenses have a fixed or variable (zoom lenses) opening angle of the optics to the object. They are used for presence detection and assembly control, pick and place applications, feature inspections, color applications, OCR-recognition and code reading. Due to their perspective error they are not suitable for measurement applications. Telecentric lenses are special optical lenses that are characterized by the fact that their entrance or exit pupil are located at infinity. They are mainly used for measurement tasks with high repeatability, especially when measuring is to be made without perspective distortion at fluctuating object positions (in excess of the field of view in x and y direction).



#### MECHANICAL DATA

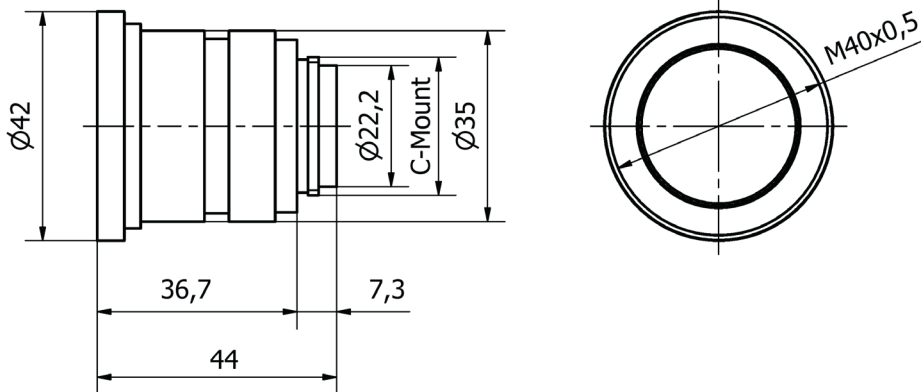
Ambient temperature (MAX)	50 °C
Ambient temperature (MIN)	-20 °C
Filter thread size, metric	40.5
Housing material	Aluminium
Lens diameter	42
Lens length	36.7 mm
Material of optical surface	Glass
Pitch of filter thread	0.5 mm
With C-mount thread	Yes

#### ELECTRICAL DATA

Aperture control	Manual
Aperture range	8
Aperture range	8
Lens connection	C-mount (1-32 UN 2A)

#### OPTICAL DATA

Aperture number	1.4
Focal distance	Fixed
Focal distance range (MAX)	8 mm
Focal distance range (MIN)	8 mm
Focusable	Yes
Lens type	Entocentric
M.O.D	0.1
Minimum distance	100 mm
Motor zoom	No
Resolution capacity	Up to 2 megapixel

**DIMENSIONAL DRAWING****INSTALLATION**

Mounting / Installation may only be carried out by a qualified electrician!

**DISPOSAL****SAFETY WARNINGS**

Before initial operation, please make sure to follow all safety instructions that may be provided in the product information!

Never use these devices in applications where the safety of a person depends on their functionality.