

dimensions **M8 x 1**

switching distance 2mm

- ✓ one-piece stainless steel housing
- ✓ pressure-resistant up to 100bar
- ✓ extremely resistant
- ✓ extremely impermeable IP68 + IP69k
- ✓ short-circuit and reverse polarity protected
- ✓ LED-display
- ✓ M8-connector

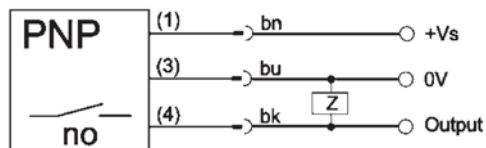


**correction factor 1 on aluminum**  
**IO-Link**

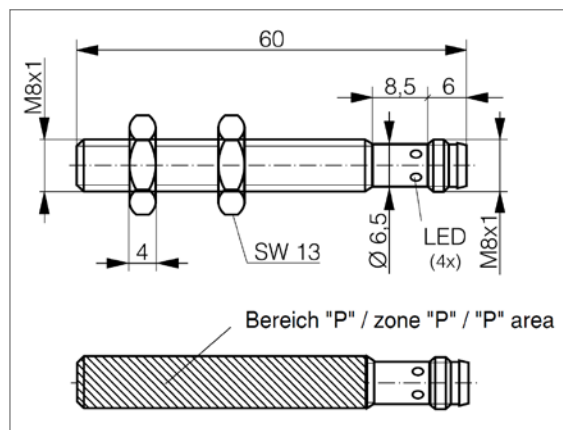

**Technical Data**
**IC080172**

nominal switching distance $S_n$	2mm
mounting	flush (consider correction factors!)
operating voltage $U_B$	10 ... 30V DC
permissible residual ripple	$\leq 20\%$
switching output	npn, no
output current (max. load)	$\leq 200\text{mA}$
voltage drop	$\leq 2\text{V}$ at 200mA
current consumption (w/o load)	$\leq 10\text{mA}$
leakage current (output)	$\leq 0.1\text{mA}$
switching frequency	$\leq 100\text{Hz}$
power-on delay time	$\leq 30\text{ms}$
switching hysteresis	$\leq 20\%$
norm trimming plate	8 x 8 x 1mm, FE 360
switching state display	$0 \leq s \leq 0.8s_r$ : LED yellow lighting $0.8s_r \leq s \leq s_r$ : LED yellow flashing
repeat accuracy	$\leq 5\%$ of $s_r$ (at $U_B = 20 \dots 30\text{V}$ , $T_A = 23^\circ\text{C} \pm 5^\circ\text{C}$ )
pressure resistance („P“ area)	100bar
vibration and shock proof	acc. IEC 60947-5-2/7.4
EMC-protection	IEC 60947-5-2: 5kV IEC 61000-4-2: level 4 IEC 61000-4-3: level 3 IEC 61000-4-4: level 3
protection class	IP68 + IP69k
ambient temperature	-25 ... +70°C
temperature drift of $S_r$	$\leq 10\%$
material (housing)	stainless steel V2A / 1.4305 / AISI 303
material thickness (active surface)	0.25mm
electrical connection	M8-connector
max. cable length	300m
connection accessories	e.g. <b>VK200075</b>
mounting accessories	mounting bracket: <b>AY000098</b> univ.holder: <b>AY000115</b>

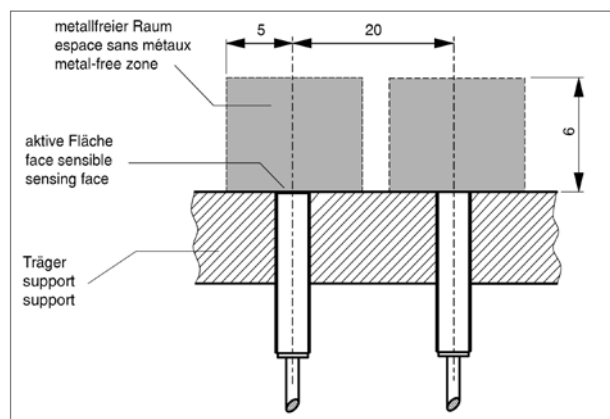
### pin configuration:



### dimensional drawing:



### Einbau / Montage / Installation:



### Reduktionsfaktoren für Messplatte aus\* / Coefficients de réduction pour cible en\* / Correction factors for target of\*:

Stahl FE 360	Kupfer	Aluminium	Messing	Edelstahl 1mm / 2mm dick
Acier FE 360 <b>1.0</b>	civre <b>0.9</b>	aluminium <b>1.0</b>	laiton <b>1.4</b>	acier INOX épaisseur 1mm / 2mm <b>0.2 / 0.4</b>
Steel FE 360	copper	aluminum	brass	stainless steel 1mm / 2mm thick

### Reduktionsfaktoren für bündigen Einbau in Träger aus\* / Coefficients de réduction pour montage noyé dans support en\* / Correction factors for embeddable mounting in support of\*:

Stahl FE 360	Aluminium	Messing	Edelstahl
Acier FE 360 <b>0.9</b>	aluminium <b>0.9</b>	laiton <b>0.9</b>	acier INOX <b>0.9</b>
Steel FE 360	aluminum	brass	stainless steel

article-no.: **IC080172**

**Warning:** Never use these articles in applications where the safety of a person depends on their functionality.