

LEO-S572-TP

LoRaWAN Temperature Probe Sensor



Features

- 3 wire connection for high precision
- LoRaWAN technology for efficient long-range wireless data transmissions
- IP67 waterproof enclosure for harsh environment applications
- Built-in 19000 mAh replaceable battery and long battery without replacement
- Equipped with NFC for easy configuration
- Compliant with standard LoRaWAN® gateways and network servers

Specifications

Frequency	US915/AU915/KR920/AS923/RU864/ IN865/EU868/CN470	
NFC	Y(Configuration)	
Button	1 x Power Button (Internal)	
Battery	1 x 19000 mAh battery (ER34615)	
Battery Life	5 years (10 min interval, @25°C)*	
Data Storage Capacity	1000	
Working Temperature	-30°C ~ 70°C	
Working Humidity	0 ~ 100% (non-condensing) at 25°C (77°F)	
Wireless Range	100 meters+ (Line of Sight)*	
dimension	105.4 x 71 x 69.5 mm (4.1 x 2.8 x 2.7 in)	
Weight (KG)	1kg	
IP	67	
Certification	FCC, TELEC, CE	
Connection Type	3-wire connection	
Cable Length	1.5m	
Probe Type	Stainless steel 304	
Temperature	Range	-200 °C ~ 50 °C
	Accuracy	±0.5°C
	Resolution	0.1°C

* Test under laboratory conditions and for guideline purposes only

Ordering Information

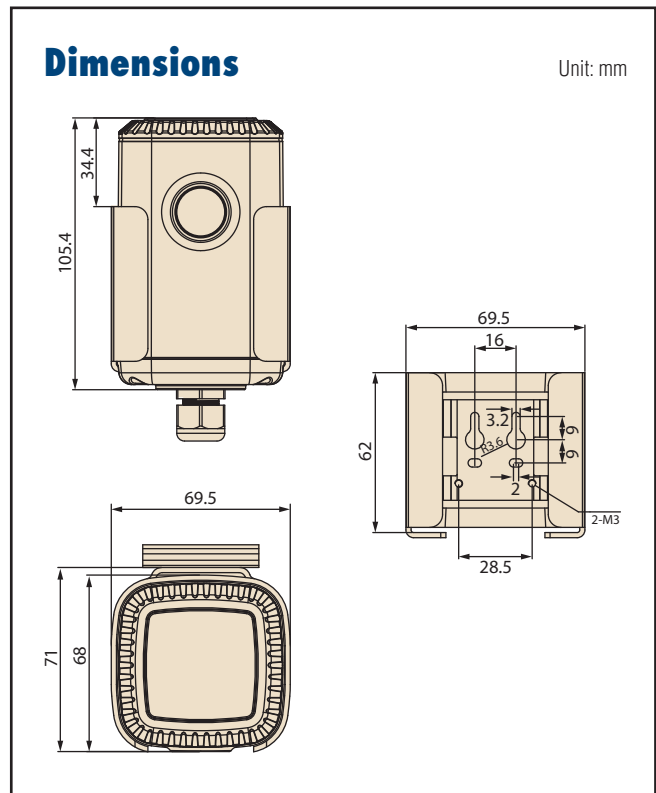
Part Number	Description
LEO-S572-TPG0	LEO-S LoRaWAN Temp Probe sensor 915
LEO-S572-TPC0	LEO-S LoRaWAN Temp Probe sensor 470
LEO-S572-TPE0	LEO-S LoRaWAN Temp Probe sensor 868

Packing List

- 1 x Mounting Bracket
- 2 x Wall Mounting Kits
- 4 x Rubber Screw Caps
- 1 x Hose Clamp

Dimensions

Unit: mm



USM-S67

LoRaWAN Gateway



Features

- Quad-core industrial processor with big memory
- Equip with SX1302 chip, handling a higher amount of traffic with lower consumption
- 8 half/full-duplex channels
- IP65 enclosure and industrial design for parts of outdoor environment applications like eaves
- Desktop, wall or pole mounting
- Multi backhaul backups with Ethernet and Wi-Fi
- Easy and centralized management of remote devices
- Enable security communication with multiple VPNs like IPsec/OpenVPN/L2TP/PPTP/DMVPN
- Built-in network server and MQTT/HTTP/HTTPS API for easily integration
- Embedded Python SDK for users secondary development
- Fast and user-friendly programming by Node-RED development tool

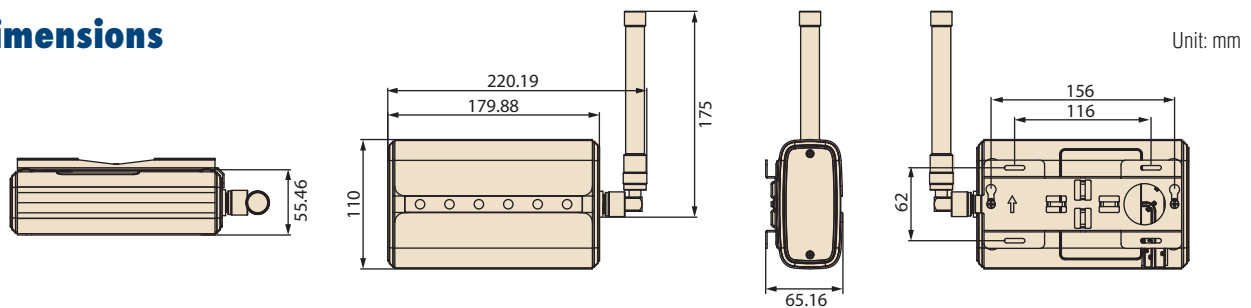
Specifications

General	CPU	Quad-core 1.5 GHz, 64-bit ARM Cortex-A53
	Memory	512 MB DDR4
	Flash	8 GB eMMC
	LED Indicators	1 x POWER, 1 x STATUS, 1 x LoRa, 1 x Wi-Fi, 1 x Ethernet
LoRaWAN	Frequencny	US915/AU915/KR920/AS923/RU864/IN865/EU868/CN470
	Antenna	2 x Internal Antennas 1 x External Antenna
	Wireless Range	100 meters+ (Line of sight)**
	Connect Q'ty	Support up to 100 x LEO-S sensors*
Connectivity	Ethernet	10/100/1000 Base-T
	Wifi	IEEE 802.11 b/g/n, 2.4GHz
Others	Button	1 x Reset Button
	Power	1. DC Jack Connector for 9-24 V _{DC} power supply 2. 1 x 802.3 af PoE input
	Working Temperature	-40 ~ 70°C (-40 ~ 158°F)
	Storage Temperature	-40 ~ 85°C (-40 ~ 185°F)
	Operating Humidity	0 ~ 95% (non-condensing) at 25°C (77°F)
	dimension	180 x 110 x 56.5 mm (7.09 x 4.33 x 2.22 in)
	IP	65
Certification	FCC, TELEC, CE, KC, RCM, SIRIM, NBTC	

* Dependent on usage scenario

** Test under laboratory conditions and for guideline purposes onl

Dimensions



Ordering Information

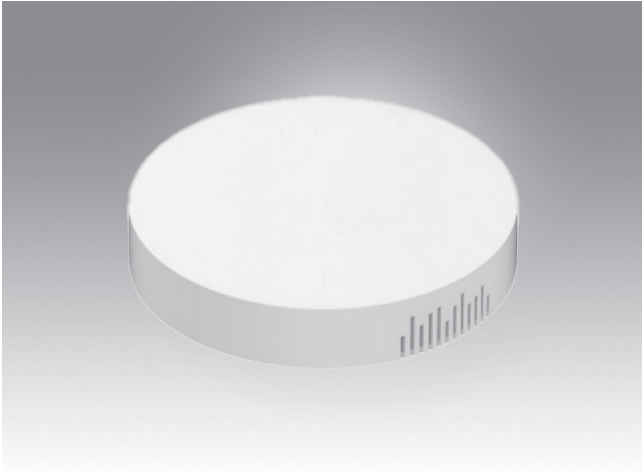
Part Number	Description
USM-S67-G0WPO	USM-S67 LoRaWAN & WIFI Gateway 915
USM-S67-C0WPO	USM-S67 LoRaWAN & WIFI Gateway 470
USM-S67-E0WPO	USM-S67 LoRaWAN & WIFI Gateway 868

Packing List

- 1 x LAN Cable(1.5M)
- 1 x Adapter
- 1 x Mounting Bracket
- 2 x Mounting Kits
- 1 x LoRaWAN Antenna

USM-S67

LoRaWAN Compact Gateway



Features

- Support 8 half/full-duplex channels
- Enable security communication with multiple VPNs(IPsec/OpenVPN/L2TP/PPTP/DMVPN)
- Detect and analyze the noise level and provide intuitive diagram for deployment
- Built-in network server and MQTT/HTTP/HTTPS API for easily integration

Specifications

General	CPU	528 MHz, ARM Cortex-A7
	Memory	256 MB DDR4
	Flash	4 GB eMMC
	LED Indicators	1 x SYS, 1 x LoRa
LoRaWAN	Frequency	US915/AU915/KR920/AS923/CN470
	Antenna	2 x Internal Antennas
	Wireless Range	100 meters+ (Line of sight)**
Connectivity	Connect Q'ty	Support up to 20 x LEO-S sensors*
Others	Ethernet	10/100 Base-T
	Button	1 x Reset Button
	Power	1.802.3 af PoE input 2.5V/1A by Type-C Port
	Working Temperature	-20 ~ 50°C (-4 ~ 122°F)
	Storage Temperature	-40 ~ 85°C (-40 ~ 185°F)
	Operating Humidity	0 ~ 95% (non-condensing) at 25°C (77°F)
	dimension	Ø115 x 21 mm (Ø4.52 x 0.83 in)
	IP	30
Certification	FCC, TELEC, CE***	

* Dependent on usage scenario

** Test under laboratory conditions and for guideline purposes only

***CE by project

Ordering Information

Part Number	Description
USM-S67-G00P0	USM-S67 LoRaWAN Gateway 915
USM-S67-C00P0	USM-S67 LoRaWAN Gateway 470

Packing List

- 2 x Mounting Kits

Dimensions

Unit: mm

