

## AO000540

### ACCESSORIES • ATTACHMENT OPTICS

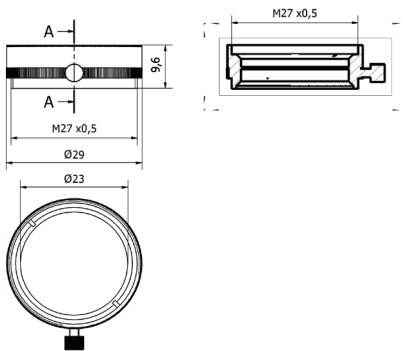


#### MECHANICAL DATA

Outer diameter	27 mm
Thread pitch	0.5
Thread size, metric	27
Version	Interference / polarizing filter

#### DIMENSIONAL DRAWING

A-A (2 : 1)



#### INSTALLATION



Mounting / Installation may only be carried out by a qualified electrician!

#### DISPOSAL



#### SAFETY WARNINGS

Before initial operation, please make sure to follow all safety instructions that may be provided in the product information!

Never use these devices in applications where the safety of a person depends on their functionality.