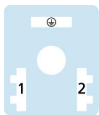
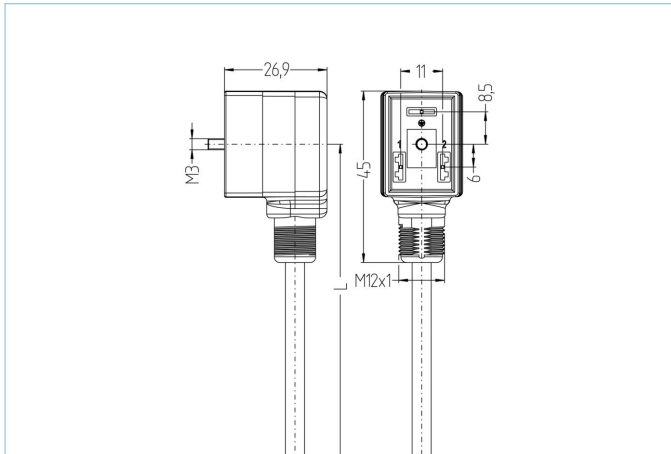


## Valve connector, housing style BI, 2+PE, rail approved



### Product data

|                    |                           |
|--------------------|---------------------------|
| Item description   | RA-VBIG21.14-24.3-5/S5600 |
| Item-No.           | 8116628                   |
| Length             | 5m                        |
| Customs tariff-No. | 85444290                  |
| Step-File          | RA-VBIG21_14-24_3-m.stp   |
| EAN                | 4047106323134             |

### Technical data

|                                |   |
|--------------------------------|---|
| Connector                      | female, angled, Valve BI, grip body with thread |
| Number of pins                 | 2+PE  |
| Pin assignment                 | 1 WH1, 2 WH2, PE: GNYE                          |
| Rated voltage                  | 30V <sub>AC/DC</sub>                            |
| Current load per pin (at 40°C) | 10A   |
| Insulation resistance          | ≥10 <sup>9</sup> Ω                              |
| Signal status-indicator        | LED YE  |
| Contact material               | Metal, CuZn, silver-plated                      |
| Contact-carrier material       | Plastic, PA, BK                                 |
| Grip body material             | Plastic, PA, BK                                 |
| Sealing (female) material      | Plastic, NBR                                    |
| Protection circuit             | Suppressor diode                                |
| Fixing screw                   | Metal, CuZn, nickel-plated                      |
| Housing style                  | BI  |
| Standards                      | DIN EN 175301-803                               |
| Degree of protection (mounted) | IP65, IP67                                      |
| Mechanical life-cycle          | >100 mating cycles                              |
| Degree of pollution            | 3   |
| Style                          | angled  |

### Advanced technical data rail approved

|                              |                                    |
|------------------------------|------------------------------------|
| Standards                    | DIN EN 50155, DIN EN 45545-2       |
| Shock & vibration            | Class 1, Category B (DIN EN 61373) |
| Temperature range            | Tx (-40°C...+90°C)                 |
| Fire prevention according to | DIN EN 45545-2 HL1-3               |

### Cable web ÖLFLEX® TRAIN, 3x0,75mm², S5600

Halogen-free, highly flame-resistant cable for fixed, mechanically protected installation in railway vehicles. The cable fulfils the requirements according to EN 45545-2 (HL1 – HL3). It is characterized by a wide temperature range. ÖLFLEX® is a registered trademark of Lapp GmbH, Germany.

|                              |  |
|------------------------------|--|
| Outer diameter of jacket     | 4.7 mm   |
| Cable-jacket material        | flame retardant, halogen free polymer-compound                                     |
| Jacket color                 | BK   |
| Wire cross-section           | 3 x 0.75 mm²   |
| Wire insulation material     | Polymer compound   |
| Wire colors                  | WH 1, WH 2, GNYE   |
| Wire structure               | 37 x 0,16 mm   |
| Bending radius (fixed)       | 4xØ-cable  |
| Bending radius (repeated)    | 5xØ-cable  |
| Temperature range (repeated) | -35°C...+105°C   |
| Temperature range (fixed)    | -45°C...+125°C   |
| Fire prevention according to | DIN EN 45545-2 HL1-3   |
| Halogen-free                 | Yes  |
| Special features             | flame retardant, halogen free, oil- and fuel resistant, acid- and alkali resistant |

### Classification

|            |          |
|------------|----------|
| eCl@ss 6.0 | 27279218 |
| eCl@ss 7.0 | 27279218 |
| eCl@ss 8.0 | 27279218 |
| eCl@ss 9.0 | 27060312 |
| ETIM 5.0   | EC001855 |
| ETIM 6.0   | EC001855 |

### Accessories

#### Labels, Valve connector

<https://www.escha.net/en/products/standard/accessories-for-connectivity/8047109>

#### Adapter piece, M12

<https://www.escha.net/en/products/standard/accessories-for-connectivity/8081747>

#### Protective hose

<https://www.escha.net/en/products/standard/accessories-for-connectivity/8081621>