

# Cellular Routers & Gateways for Industrial IoT & Enhanced Networking

- ✓ 5G / 4G LTE connectivity
- ✓ Key features overview
- ✓ Networking capabilities
- ✓ Management software
- ✓ Case studies



Newly  
**2025**  
updated

**ADVANTECH**

*Enabling an Intelligent Planet*

[www.advantech.com](http://www.advantech.com)

# Cellular Routers & Gateways

5G / 4G LTE / 3G HSPA+ / UMTS / EDGE / GPRS



## Flexible, effective and secure networking

Advantech routers enhanced functionality incorporates self-diagnostics and an HW watchdog to ensure secure and consistent operation and ultra-reliable wireless connections. With multi-SIM card holders and automatic failover routers provide wireless redundancy for critical applications along with SMS/email messaging and control capability for remote alerts and reset. They support the most commonly used LAN/WAN network protocols. The goal is flexibility, effectiveness, and security in a large variety of applications.

Advantech routers are based ICR-OS operating system (Linux Kernel) that combines the simplicity of a web-based configuration with the flexibility of an open platform that allows the development of custom configuration scripts and RouterApps (software User Modules). ICR-OS serves also as a gate for router integration into additional monitoring and security software platforms – WebAccess/DMP. This platform enhance router security of communication, remote management, and hardware/software monitoring while increasing significantly user comfort and stability in operated networks.



## Networking

- DHCP: automatic IP addressing in LAN network
- NAT/PAT: IP address and port translation
- VRRP: virtual backup router function
- DynDNS client: access to the dynamic IP address
- VLAN 802.1Q: virtual LAN
- QoS: quality of service
- PPPoE Bridge: PPP over Ethernet Bridge mode
- NTP client, NTP server: time synchronization
- Dynamic routing protocols: BGP, OSPF, RIP, IS-IS, NHRP
- MODBUS RTU/TCP gateway and mapping: convert data from RTU to TCP/IP format
- Backup routes: back up of the primary connection with alternative connections to the Internet (mobile network) or enabling Multiple WANs mode
- Dual stack IPv4 and IPv6 support
- Load balancing: the weight for every router interface can be set

## Multiple SIM for carrier failover

- Back-up by switching between up to 2 independent mobile carriers according to router model
- Switch when data limit is exceeded, when roaming is detected or by any other programmable option
- Embedded SIM optional

## VPN Tunneling & Security

- IPSec, OpenVPN, PPTP, L2TP, EasyVPN, GRE, WireGuard
- Authentication by certificates, shared keys, name/password, RADIUS, 2FA
- HTTPS, SSH, SFTP, DMZ
- Firewall: filtering of addresses, ports, protocols
- TPM 2.0 secure chip for selected models
- PCI DSS compliance

## Remote Router Supervision & Mass Network Management

- HTTP/HTTPS, Telnet/SSH for local and remote configuration and firmware updates via WAN, locale configuration and firmware updates via LAN
- Schedule automatic configuration and firmware updates from your FTP/HTTP servers, Backup & Restore configuration
- Up to 4 independent configuration profiles can be stored and remotely switched using scripts, SMS messages, I/O, etc.
- Additional management, monitoring and security software platforms WebAccess/DMP

## Feature and platforms overview

<b>Hardware Platform v4</b>		5G & LTE Advanced High Speed Routers	Quad-Core CPU 1.2 GHz RAM 1024 MB 5 x 10/100/1000 Ethernet, PoE, SFP, RS232, RS485, CAN, GPS, I/O, WIFI	supported - 838 MB space 
<b>Hardware Platform v4i</b>		5G & LTE Advanced High Speed Routers	Quad-Core CPU 1.6 GHz RAM 1024 MB 2 x 10/100/1000 Ethernet, RS232, RS485, GNSS, I/O, WIFI	supported - 3.35 GB space 
<b>Hardware Platform v3</b>		4G Powerful Routers	CPU 1 GHz RAM 512 MB 2 - 5 x 10/100 Ethernet, PoE, RS232, RS485, GPS, I/O, WIFI, Bluetooth	supported - 128 MB or 838 MB space according to model specification 
<b>Hardware Platform v2i</b>		4G Entry Level Industrial Routers	CPU 600 MHz RAM 128 MB 1 - 4 x 10/100 Ethernet, RS232, RS485, I/O	supported - 12 MB space or 838 MB space according to model specification 
<b>Hardware Platform v1</b>		4G / 5G Connectivity Gateways	2 - 5 x 10/100/1000 Ethernet, RS232, RS485, I/O	supported - 80 MB space 

## Diagnostics

- Status – Signal Strength, Data Usage, Detailed Long Term Statistics
- One CLICK report – Current Configuration, Factory Identification, Routing Table
- Log – System Log, Reboot Log, Kernel Log
- SNMP: router diagnostics, communication with I/O
- LED indication: signal strength, connection status, ports, customer's application LED

## Event Engine and SMS & E-mail Info

- StartUp script & Up/Down script: possibility to customize rules based on digital inputs status, network parameters, data usage, timer, power, device temperature etc.
- Information about status, connection or disconnection and many other parameters
- SMS control: on/off connection, switching SIM, router profile, I/O
- SMS communication: AT commands (RS232 and TCP/IP), I/O or HTTP
- SNMP traps

## Application Development

Based on Linux Kernel Advantech cellular routers & gateways combines the simplicity of a web-based configuration with the flexibility of an open platform that allows the development of custom configuration scripts and RouterApps (software User Modules).

- Open Linux, BASH
- Python, C/C++
- Node-RED
- Docker Containers



## ICR-4400



### 5G & LTE Advanced High Speed Routers

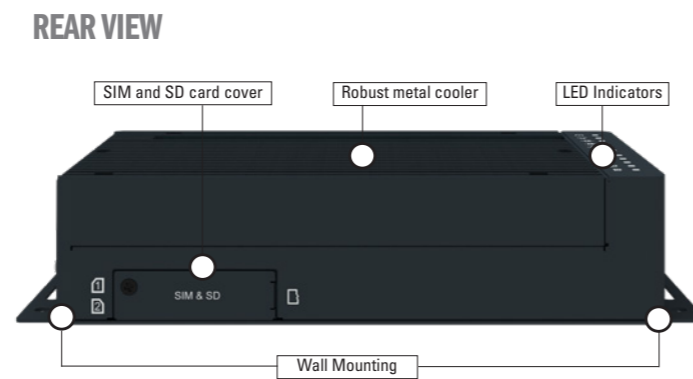
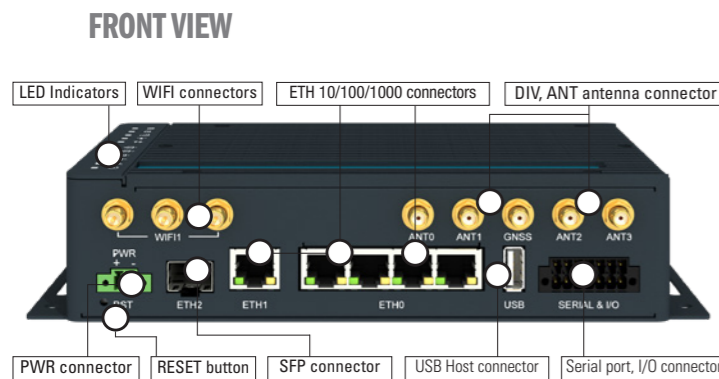
- 5G NR and 4G/LTE-A Cat.12 options
- Quad-core CPU with 1 GB RAM
- 2x SIM, Embedded SIM Ready, TPM 2.0
- 5x Gigabit Ethernet (Optional 4 x PoE + PSE)
- SFP cage for SFP modules up to 10 Gbps
- GNSS Receiver, Micro SD Card
- RS232, RS485, CAN BUS, 2x DI, 2x DO, USB Host
- Optional 2x2 WiFi 802.11ac
- Robust metal cover with wall and DIN mount options
- Wide operational temperature range

Introducing the **ICR-4400** - powerful industrial router and IoT gateway seamlessly merging advanced router features with IoT gateways in a single robust design. Tailored for edge intelligence, it offers versatile connectivity options, including Ethernet, USB, microSD, serial lines, CAN Bus, SFP cage, I/Os, GNSS, and optional WiFi. Ideal for high-speed, low-latency connectivity in global IoT, industrial, and security applications. Powered by ICR-OS Linux, the router ensures a wide array of standard and enhanced networking features.

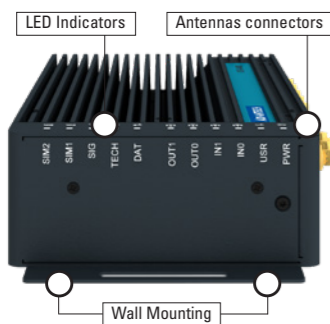
With a secure web interface and remote configuration, multiple profiles, automatic firmware updates and customizable software environments make the **ICR-4400** dynamic edge computing gateway. Explore flexibility with standard web config, Linux scripts, AT commands, and Router Apps (User Modules) available for download directly in the router web interface.

Designed for rugged environments, the **ICR-4400** operates in temperatures from -40 to +75 °C and accepting a voltage range of 9 V DC to 48 V DC. Cellular router models feature dual SIM readers and support an optional Embedded SIM in a form of MFF2 chip (MFF2 chip needs to be delivered by customer) or plastic 2FF miniSIM. Encased in a durable metal housing it offers easy management through WebAccess/DMP simplifying mass deployments.

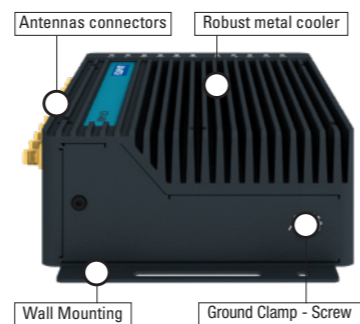
The **ICR-4400** series comprises of 5G models (**ICR-4453**, **ICR-4461**) and LTE Advanced Cat.12 model (**ICR-4434**). Available also as the non-cellular model **ICR-4401**. Technology and components used makes the platform perfect for secure and scalable deployments with a wide and diverse hardware connectivity needs from traffic and security cameras to LAN networks, industrial systems, and self-service terminals.



### LEFT SIDE VIEW



### RIGHT SIDE VIEW



## ICR-4100/4200



### 5G & LTE Advanced High Speed Routers

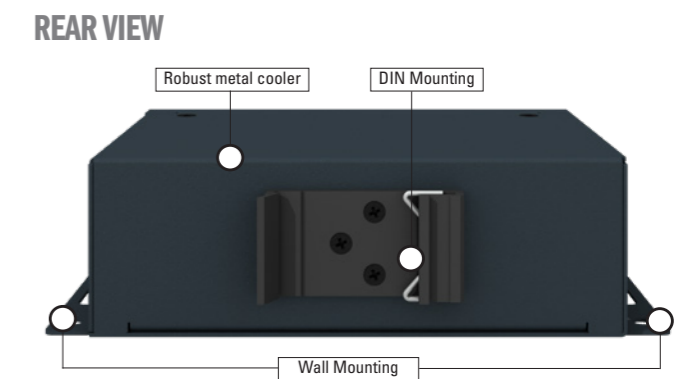
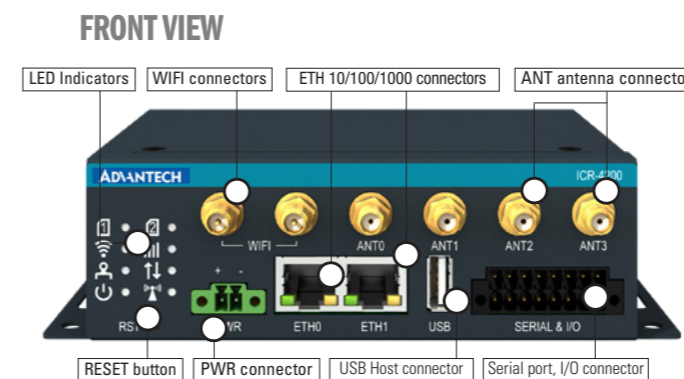
- 5G NR and 4G/LTE-A Cat.6 options
- Quad-core CPU with 1 GB RAM
- 2 x SIM, eSIM Ready, TPM 2.0
- 2 x Gigabit Ethernet, 1.5 kV isolation
- GNSS Receiver, Micro SD Card
- RS232, RS485, 4 x DI, 2 x DO, USB Host 3
- Robust metal cover with wall and DIN mount options
- Wide operational temperature range
- Optional Tri-Band WiFi 6
- Extra large space for Router Apps and customer data 2.29 GB

Introducing the **ICR-4100/4200** – the ultimate solution for global industrial applications providing swift data transfer, low latency, and robust network connectivity in 5G or 4G/LTE Advanced Cat.6 networks. Built on a strong hardware platform and 3.35 GB space for applications, the **ICR-4100/4200** represents superior performance and high value for user. Equipped with two Gigabit Ethernet ports, USB 3.0, GNSS receiver, dual SIM readers and added optional flexibility containing dual serial ports, digital inputs/outputs, and WiFi 6 (2x2 MIMO) it offers necessary versatility wide pool of applications. TPM 2.0 and Tamper Button ensuring the integrity and safety of data transmission in critical infrastructure environments.

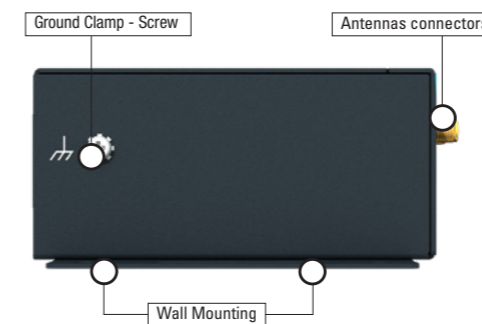
The **ICR-4100/4200** series prioritizes user-friendly interface enabling remote configuration and management.

With support for multiple profiles, automatic firmware updates, and customizable software options businesses can tailor routers to specific needs seamlessly integrating the device into existing or new systems. Effortless management is further streamlined with WebAccess/DMP, comprehensive tool simplifying network scalability and maintenance of routers.

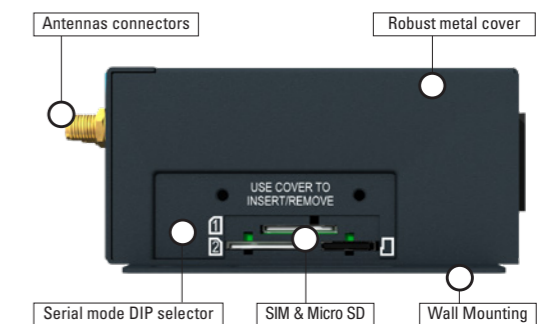
**ICR-4100/4200** router family represents a significant advancement in industrial networking – offering gigabit Ethernet speed, low latency, and high network availability. Combining powerful performance, robust security and easy management is **ICR-4100/4200** router family the perfect solution for demanding industrial applications in verticals like energy, video surveillance, machine building, kiosks/self machines, transportation, smart cities and many more.



### LEFT SIDE VIEW



### RIGHT SIDE VIEW



# ICR-3200



# SmartFlex



4G Powerful Routers - ICR-3200 & SmartFlex

4G Powerful Routers

- 4G LTE Cat.4, Cat. M1 VPN Gateway for Industrial IoT applications
- Powerful CPU with 1.3 GB storage to host SW applications
- 2x SIM with cover, Embedded SIM ready
- 2x Ethernet 10/100, 1x RS232, 1x RS485 and I/O
- Optional WIFI 802.11ac using MIMO technology
- Optional Bluetooth v5.1 (class 1)
- Optional GNSS receiver
- Robust metal cover with DIN and Wall mount options
- Operational temperature range from -40 °C to +75 °C
- Backup real time clock, sleep mode & Power ignition

- Powerful CPU to support high demand customer applications
- Extended operational temperature range from -40 °C to +75 °C
- 10-60 V DC, reverse polarity voltage protection
- Flexible port options for SmartFlex router family
- Twin cellular module capability for SmartMotion router family
- GPS and GLONASS support
- MicroSD card holder
- Low power mode for solar and battery power applications
- PoE PD, PoE PSE, In/Out, USB Host
- Advanced security features (VPN, firewall etc.)

Introducing the **ICR-3200** – perfect industrial solution for connecting IP or serial devices to 4G/LTE cellular networks. Ideal for diverse applications like kiosks, industrial PCs, HMIs, CCTV monitoring and more. With LTE Cat.4 speeds up to 150 Mbps download and 50 Mbps upload it meets high-data demand needs of the current systems. Available also as LTE Cat M1/NB IoT version specifically to IoT and M2M applications. **ICR-3200** providing two Ethernet 10/100 ports, RS232/RS485 serial ports, digital I/O connectivity, backup real-time clock, sleep mode support and dual SIM. Optionally GNSS, WIFI, and Bluetooth v5.1 (class 1 configurable via Node-RED). The router supports VPN tunnel set up using various protocols including IPsec, OpenVPN, WireGuard etc. to ensure safe communications.

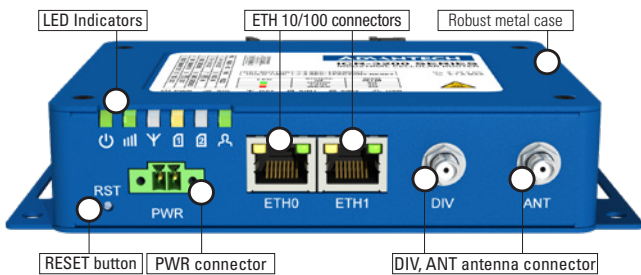
Introducing the **SmartFlex SR30x/31x** – industrial versatile routers and IoT gateways for connecting IP or serial devices via cellular network. Operating in 4G/LTE Cat. 4 networks routers provide secure connectivity for devices and LANs. A secure web interface allows users to configure and manage routers from remote locations.

The **ICR-3200** places intelligence at the network edge with an extremely powerful Cortex A8 CPU and 1.3 GB for customer data and applications. **ICR-3200** supports WebAccess/DMP configuration and monitoring tool.

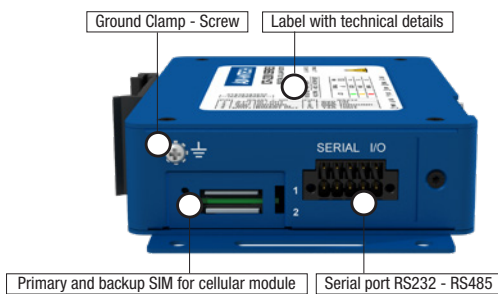
The **SmartFlex** standard hardware configuration includes 2x Ethernet 10/100 ports with 2 independent LANs/IP addresses, 1x USB 2.0 host port, 1x microSD card holder, 2x SIM cardholders for automatic failover to an alternate service provider/providers, 2x binary inputs (I/O), 1x binary output (I/O) and onboard GPS. Optionally available industrial grade WIFI or POE PSE/PD support on Ethernet ports.

For **SmartFlex** there are available optional hardware boards that extend port flexibility for additional Ethernet, RS232 and RS485 interfaces – take a look at the website for current options. The series is powered by Linux based ICR-OS routers and is supported by WebAccess/DMP.

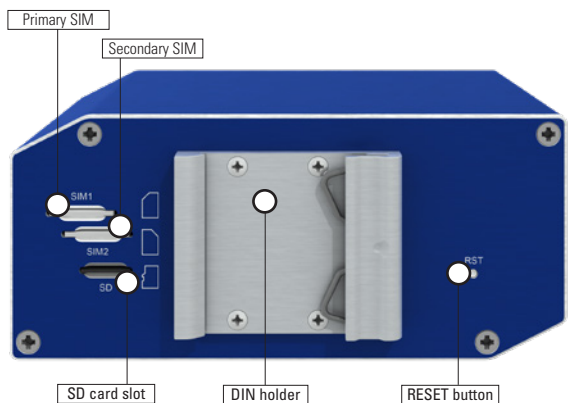
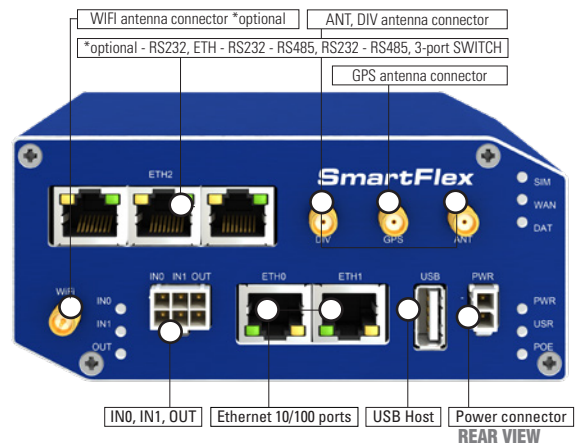
ICR-3200 FRONT VIEW



LEFT VIEW



SMARTFLEX FRONT VIEW





## WebAccess/DMP

Industrial Router Network Management - Powerful, Flexible, and Secure

**WebAccess/DMP** provides **centralized management** for your routers, allowing **remote configuration** and monitoring with **customizable dashboards** and **alerts**.

It enhances security with **two-factor authentication** and **PKI encryption**. Complementing this, **VPN Management** simplifies network connectivity by automating VPN setup across diverse networks.

Leveraging **WireGuard VPN** for its **speed** and **security**, it streamlines **network management** with features like **zero-touch provisioning**, flexible router grouping, and independent interface settings. This integrated solution **enhances network security**, simplifies operations, and empowers businesses with **greater control and visibility** over their network infrastructure.



### POWERFUL ⚡

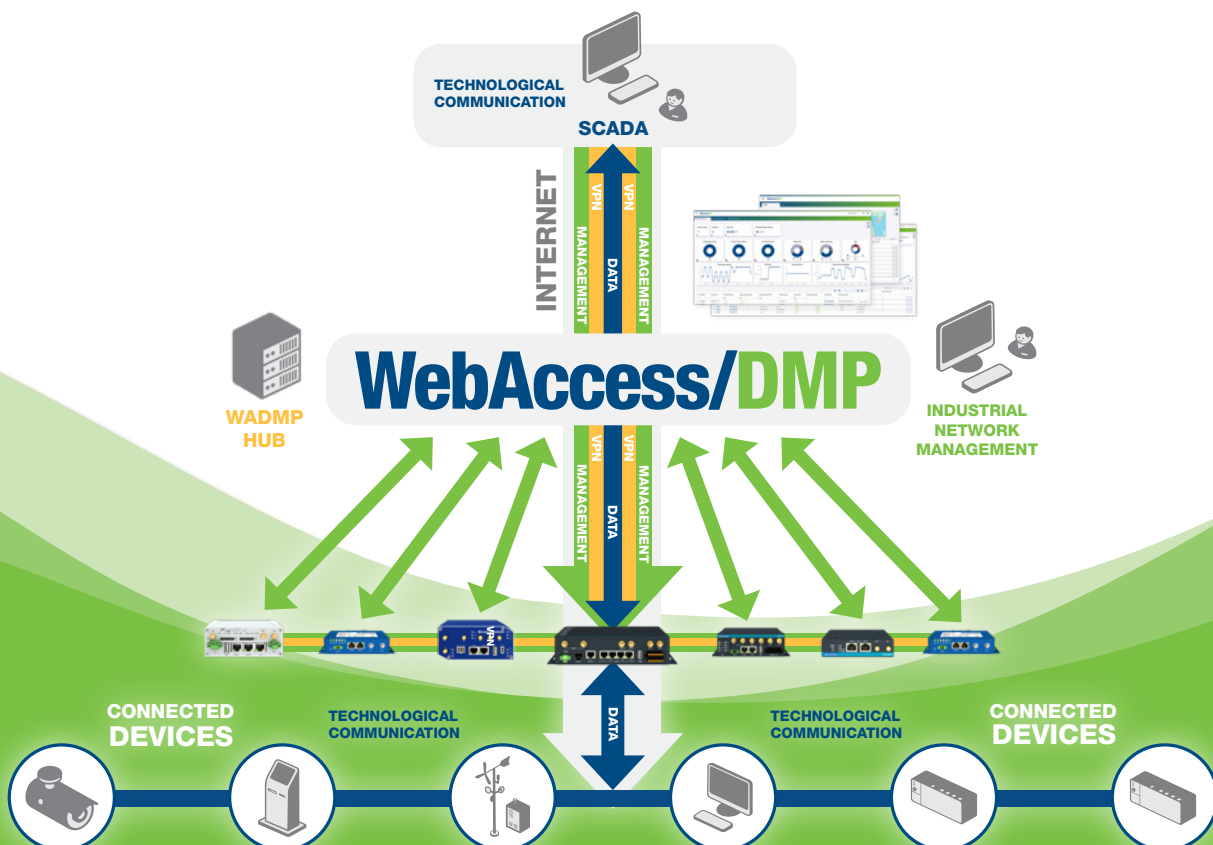
- VPN Management
- Digital Twin Model
- Configuration Profile Management
- Ping Tools
- Efficient Data Handling
- Zero Touch Deployment

### FLEXIBLE 🔄

- Customizable and Versatile Dashboard
- Multi-Dashboard
- Multi-Tenancy
- Monitoring Customization
- Geographical Mapping

### SECURE 🛡️

- Encrypted communication
- Auditing
- Two-factor Authorization
- Fine-Grained Permission Control
- Alerts
- PKI for Mutual Authorization



**ICR-2800**  
**ICR-2700 Libratum**



4G Entry Level Industrial Routers

- LTE Cat.4 with 3G/2G fallback
- 1.3 GB eMMC storage to host customer SW applications
- 2x SIM with cover, Embedded SIM ready, GNSS (ICR-2800 only)
- Optional 2x Serial RS232/RS485 (ICR-2800 only)
- 2x Ethernet 10/100, USB Host 2.0
- Optional WIFI 802.11n
- Optional Metal or Plastic case
- DIN Rail mounting
- Wide operational temperature range
- Backup real time clock, Sleep mode

Introducing the **ICR-2700 Libratum** and **ICR-2800** – advanced successors to Advantech’s LR77v2 industrial cellular routers. Building on success of their predecessors they are 1:1 compatible in a housing shape simplifying transition of already deployed older routers.

4G/LTE Cat.4 routers bring enhanced features and stronger CPU. Also 1.3 GB memory for customer applications and data that turns this platform capabilities into a more complete IoT industrial gateway operating at the network edge. For locale connection customer can use Ethernet 10/100 ports, USB Host 2.0 and WIFI, with **ICR-2800** also configurable serial interfaces RS232/RS485 and digital I/O’s.

Running on Linux based ICR-OS these routers offer a secure web interface for remote configuration and management. Real-time data encryption and VPN tunneling using IPsec, WireGuard, OpenVPN and other technologies. Installation is simple whether in individual or in mass deployments thanks to WebAccess/DMP.

**ICR-2600**  
**ICR-2500**



4G Entry Level Industrial Routers

- LTE Cat.4 with 3G/2G fallback
- 2x SIM for redundancy
- 4x Ethernet 10/100 Mbps (3+1 RJ45)
- Optional 1x RS232, 1x RS485
- 1x DI, 1x DO
- Wide operational temperature range
- Wall and DIN mount options
- Linux based OS & SW customization
- Optional WIFI 802.11n

Introducing the **ICR-2600** and **ICR-2500** – entry level but very complete industrial cellular 4G/LTE routers with 4x Ethernet 10/100 ports for connection and 2 SIM card holders to provide backup of the cellular connection. They are designed for wireless cellular communication in 4G/LTE Cat. 4 networks. There is also possible to take advantage of digital I/O, WIFI ac,a,b,g,n and in case of **ICR-2600** one RS232 and one RS485 serial port.

Routers prioritize secure communication and supporting VPN in common standards like IPsec, OpenVPN etc. Diagnostic functions include automatic monitoring, restart on connection loss and hardware watchdog. Operated on Linux based ICR-OS the routers enable custom programming in C/C++ or Python for skilled developers/operators.

There is also possible to benefit from the existing RouterApp library with ready-to-use software developed to enhance specific router functionalities including industrial protocol conversions. Routers are supported by WebAccess/DMP.

**ICR-2400**  
**ICR-2000**



4G Entry Level Industrial Routers

- LTE Cat.4 with 3G/2G fallback
- LTE 450 options
- up to 2x SIM for redundancy
- up to 2x Ethernet 10/100 Mbps
- Optional 1x RS232, 1x RS485
- 1x DI, 1x DO
- Wide operational temperature range
- Wall and DIN mount options
- Linux based OS & SW customization
- Optional WIFI 802.11n
- Optional GNSS receiver

Introducing the **ICR-2400** and **ICR-2000** – entry level but very complete industrial cellular 4G/LTE routers with 2x Ethernet 10/100 ports and 2 SIM card holders (**ICR-2400**) and 1x Ethernet 10/100 and 1x SIM card holder (**ICR-2000**). Based on the model there are supported following 4G/LTE technologies: Cat.4, Cat-M/NB-IoT and 450 MHz. Routers support digital I/O, WIFI ac,a,b,g,n and in case of **ICR-2400** one RS232 and one RS485 serial port too.

Routers prioritize secure communication and supporting VPN in common standards like IPsec, OpenVPN etc. Diagnostic functions include automatic monitoring, restart on connection loss and hardware watchdog. Operated on Linux based ICR-OS the routers enable custom programming in C/C++ or Python for skilled developers/operators.

There is also possible to benefit from the existing RouterApp library with ready-to-use software developed to enhance specific router functionalities including industrial protocol conversions. Routers are supported by WebAccess/DMP.

**ICR-1600**



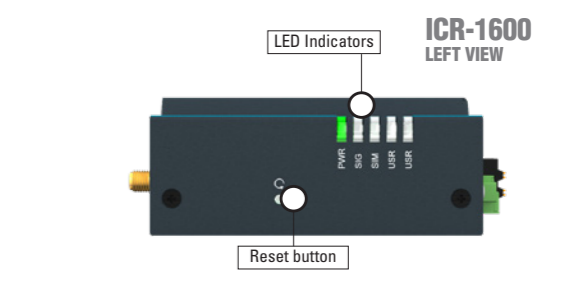
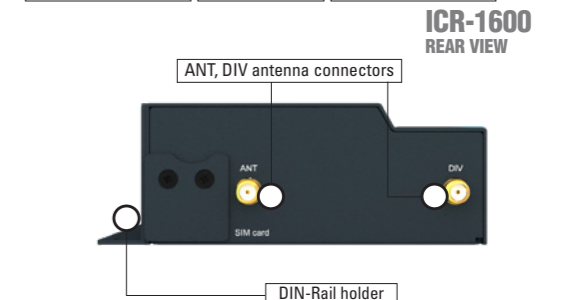
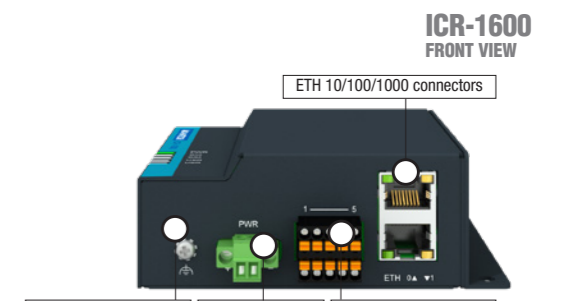
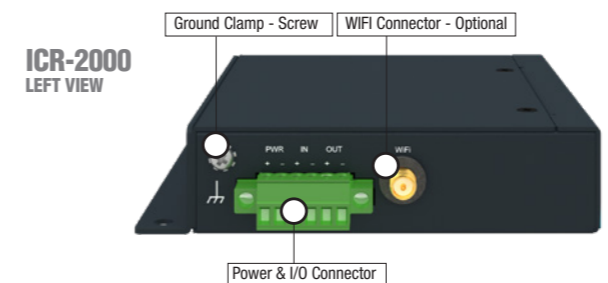
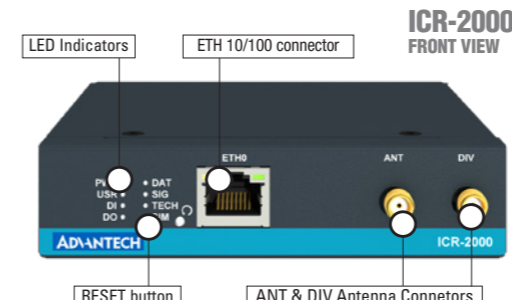
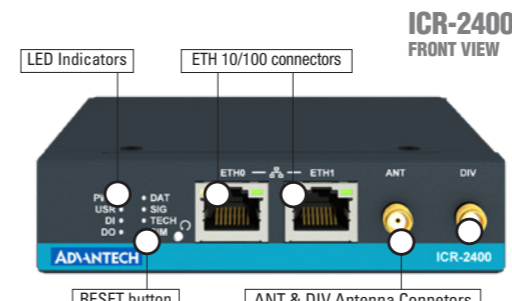
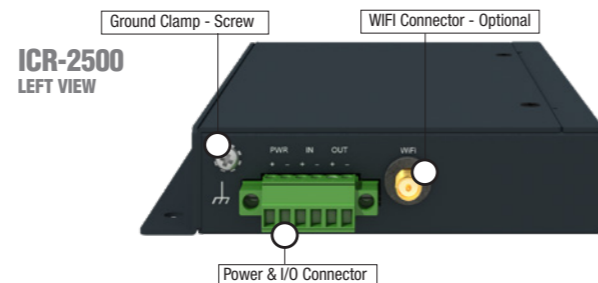
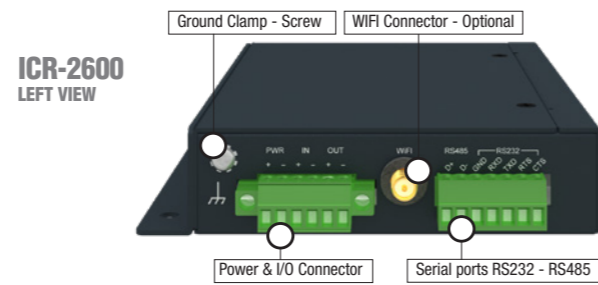
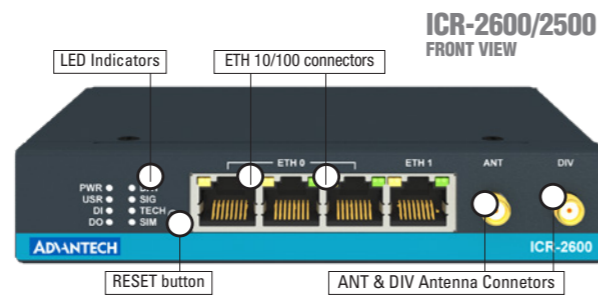
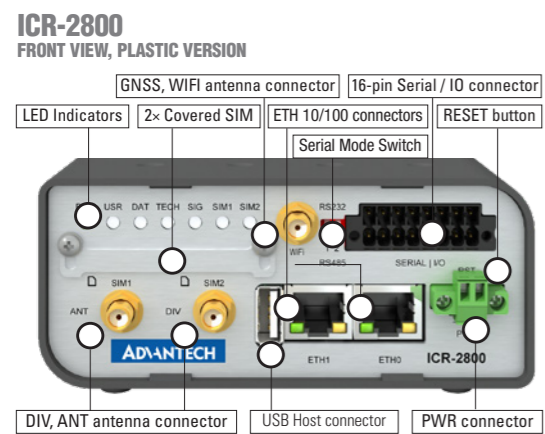
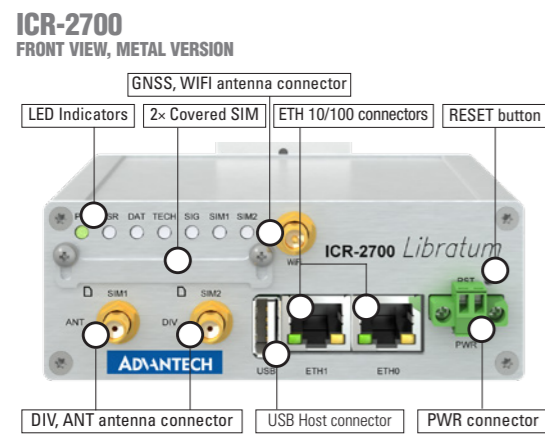
4G Connectivity Gateway

- LTE Cat.4 with 3G/2G fallback
- 2x SIM for redundancy
- 2x Ethernet 10/100/1000 Mbps
- Wide operational temperature range
- Wall and DIN mount options
- Linux based OS & SW customization
- Optional 1x RS232 + 1x RS485 + 1x DI + 1x DO
- Optional WIFI 5, IEEE802.11ac
- Optional GNSS receiver
- Compact and ruggedized design

The **ICR-1600** series industrial connectivity gateways are designed for wireless communication, enabling IP devices and serial buses (ICR-1642) to connect to a cellular network. It is ideal for M2M and IoT applications, including kiosks, industrial PCs, HMIs, traffic controllers, meters, and UPS systems.

LTE Cat.4 offers a peak downlink data rate of approximately 150 Mbps and an uplink peak data rate of 50 Mbps. The routers features two Gigabit Ethernet ports and optional digital I/O (1x DI, 1x DO) and serial (1 x RS232 + 1 x RS485) connectivity on the ICR-1642. It can also be optionally equipped with WiFi 5 or GNSS.

The connectivity gateway is based on ICR-OS operation system. Open Linux platform enable wide possibilities of programming customer SW applications in Python, C/C++. Router supports uploading of selected RouterApps (security, protocol conversion) that would extend standard firmware functionalities.



## TRANSPORTATION SYDNEY FERRIES



**Region:** AUS  
**Product:** ICR-3200  
**Application:** Real-time monitoring of position Sydney Ferries

- Multicast support - PIM-SM
- GPS functionality - NMEA reporting
- Functionality IPtables
- VPN Functionality
- Monitoring SW **WebAccess/DMP**

## ENERGY POWER DISTRIBUTION MANAGEMENT



**Region:** EMEA  
**Product:** ICR-3200, SmartFlex, SmartMotion  
**Application:** SCADA connectivity for power distribution company

- Scalable LTE routers in terms of interfaces with the same SW environment
- Centralized management tool **WebAccess/DMP**
- IEC101/104 protocol conversion provided by LTE router
- Compatibility with current SNMP monitoring system Zabbix
- Two IPsec VPN connections to two geographically separated firewalls due to redundancy
- Support SCEP (Simple Certificate Enrollment Protocol) as a key part of robust cyber security

## INDUSTRIAL EQUIPMENT MANUFACTURES MONITORING OF ELEVATORS



**Region:** NAM  
**Product:** ICR-3211B - 4G LTE Cat. M1, **WebAccess/DMP**  
**Application:** Remote monitoring of lifts using LTE Cat. M1 cellulars routers

- Capability addresses the challenge of getting a reliable cell signal in basements and other in-building locations
- The built-in supercapacitor provides enough power for a "last gasp" message to be sent when the main power is lost
- The ICR-3211B supports the required software development tool Python3
- Cloud Monitoring needed for integration with its own web-based applications

## E-MOBILITY ELECTRIC CAR CHARGING STATIONS



**Region:** EMEA  
**Product:** SmartFlex  
**Application:** Cellular connection for car charging stations

- SD card holder on router device
- Galvanically isolated Ethernet and serial ports RS232/RS485
- Open platform to host third party software
- Wide temperature range
- Over voltage protection

## HEALTH CARE MEDICAL DEVICE CONNECTIVITY



**Region:** NAM  
**Product:** SmartFlex  
**Application:** Surgical Machine, remote monitoring/control

- Multiple communication interface built-in
- Global cellular connectivity
- Use of global roaming SIM card
- Custom made **RouterApp**

## TRANSACTION MANAGEMENT 3G/4G CONNECTION FOR LOTTERY TERMINALS



**Region:** EMEA  
**Product:** ICR-2500, LR77 v2 Libratum  
**Application:** On-line transactional networks for national lotteries

- Dual SIM failover capability
- Support of Multicast
- DMVPN / GRE tunnels support
- Automatic mass update of configuration and firmware update
- Management and monitoring **WebAccess/DMP**

## AUTOMATION MONITORING OF BOILER SYSTEM



**Region:** ASIA  
**Product:** SmartStart  
**Application:** Monitoring of boiler system in hospitals, hotels and campuses environments

- Node-RED support
- Network edge data processing
- Dashboard Display for remote monitoring
- Alarm notification

## SECURITY SECURING OF AIRSPACE



**Region:** NAM, EMEA  
**Product:** SmartFlex  
**Application:** Secures the World's Airspace with multi-edge computing

- PoE PSE powering of connected camera
- SmartFlex's on-board WIFI provides a local connection for on-site technicians
- Serial interface RS232

## Regional Service & Customization Centers

**China** | Kunshan  
86-512-5777-5666

**Taiwan** | Taipei  
886-2-7732-3399

**Netherlands** | Eindhoven  
31-40-267-7000

**USA** | Milpitas, CA  
1-408-519-3800

## Worldwide Offices

### Asia Pacific

**Taiwan**  
Toll Free 0800-777-111  
Taipei 886-2-7732-3399  
Taichung 886-4-2372-5058  
Kaohsiung 886-7-392-3600

**China**  
Toll Free 800-810-0345  
Beijing 86-10-6298-4346  
Shanghai 86-21-3632-1616  
Shenzhen 86-755-8212-4222  
Kunshan 86-512-5777-5666  
Hong Kong 852-2720-5118

### Asia Pacific

**Japan**  
Toll Free 0800-500-1055  
Tokyo 81-3-6802-1021  
Osaka 81-6-6267-1887  
Nagoya 81-052-291-4860  
Nogata 81-949-22-2890

**Korea**  
Toll Free 080-363-9494/5  
Korea HQ (Seoul) 080-363-9494/5

**Singapore**  
Singapore 65-6442-1000

**Malaysia**  
Kuala Lumpur 60-3-7725-4188  
Penang 60-4-537-9188

**Thailand**  
Bangkok 66-02-2488306-9

**Vietnam**  
Hanoi 84-24-3399-1155  
Hochiminh 84-28-3836-5856

**Indonesia**  
Jakarta 62-21-751-1939

**Australia**  
Toll Free 1300-308-531  
Melbourne 61-3-9797-0100

**India**  
Bangalore 1-800-425-5071  
Pune 91-94-2260-2349

### Europe

**Netherlands**  
Eindhoven 31-40-267-7000  
Breda 31-76-523-3100

**Germany**  
Munich 49-89-12599-0  
Düsseldorf 49-2103-97-885-0  
Amberg 49-9621-9732-100

**France**  
Paris 33-1-4119-4666

**Italy**  
Milan 39-02-9544-961

**UK**  
Newcastle 44-0-191-262-4844  
London 44-0-208-317-1380

**Spain**  
Madrid 34-91-668-86-76

**Sweden**  
Stockholm 46-0-864-60-500

**Poland**  
Warsaw 48-22-31-51-100

**Czech Republic**  
Ústí nad Orlicí 420-465-524-421

**Ireland**  
Galway 353-91-792444

### Americas

**United States**  
Cincinnati 1-888-576-9668  
Milpitas 1-408-519-3800  
Irvine 1-800-866-6008  
Ottawa 1-800-346-3119  
Chicago 1-513-742-8895  
Boston 1-800-866-6008

**Canada**  
Toronto 1-800-866-6008

**Brazil**  
Toll Free 0800-770-5355  
São Paulo 55-11-5592-5355  
Itajuba 55-35-3623-5949

**Mexico**  
Toll Free 1-800-467-2415  
Mexico City 1-800-467-2415  
Guadalajara 52-33-3169-7670

### Middle East and Africa

**Israel**  
Kadima-Zoran 072-2410527

**Turkiye**  
Istanbul 90-212-222-0422  
Bursa 90-850-840-3995



**ADVANTECH**

Enabling an Intelligent Planet

[www.advantech.com](http://www.advantech.com)

Please verify specifications before quoting. This guide is intended for reference purposes only. All product specifications are subject to change without notice. No part of this publication may be reproduced in any form or by any means, electronic, photocopying, recording or otherwise, without prior written permission of the publisher. All brand and product names are trademarks or registered trademarks of their respective companies. © Advantech Co., Ltd. 2025