

NMC-0807

8 Ports 1GbE RJ45 Network Management Card with Optional Advanced LAN Bypass



Features

- 2x Intel i350-AM4
- 8 Ports RJ45 connector
- 1x PCIe x4, Gen2
- 4 pairs Advanced LAN Bypass (optional)
- RoHS Compliant

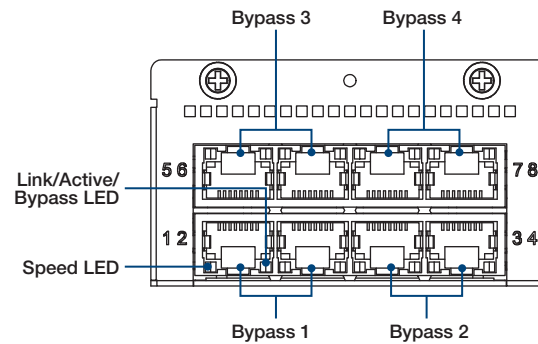


Specifications

Controller	2 x Intel i350-AM4
Interface	1 x PCIe x4, Gen2
Speed	1GbE
Port	8 x RJ45
LAN Bypass	4 pairs Advanced LAN Bypass (optional)
LAN LED definition	Speed LED (Left on RJ45): 10Mbps: N/A 100Mbps: Amber on (Downgrade speed) 1000Mbps: Green on (Maximum speed)
	Link/Act/Bypass LED (Right on RJ45): Link: Green on Active: Green Blinking LAN Bypass: Amber on Disconnect: Amber blinking
Advanced Software Features	Teaming support IEEE 802.3ad IEEE 802.1Q VLANs IEEE 802.3 2005 flow control support Interrupt moderation
OS Support	Windows® Server 2012 R2, 2012, 2008 R2 X86-64 Linux RedHat EL 6.5 and 7.0 IA-32, X86-64, and IA-64 Linux SuSE SLES 11 SP3 and 12 IA-32, X86-64, and IA-64 FreeBSD 9 and 10 IA-32, X86-64, and IA-64 UEFI 2.1 and 2.3 X86-64 and I-64 VMware ESXi5.1, ESXi5.5 and ESXi6.0 X86-64
Operating Conditions	Operation: 0 ~ 45 °C Storage: -20 ~ 60 °C
Power Voltage & Consumption	+12V ±10% 10W
Dimensions (W x H x D)	74.6 x 42.5 x 174.6 mm
Compliance	CE/FCC



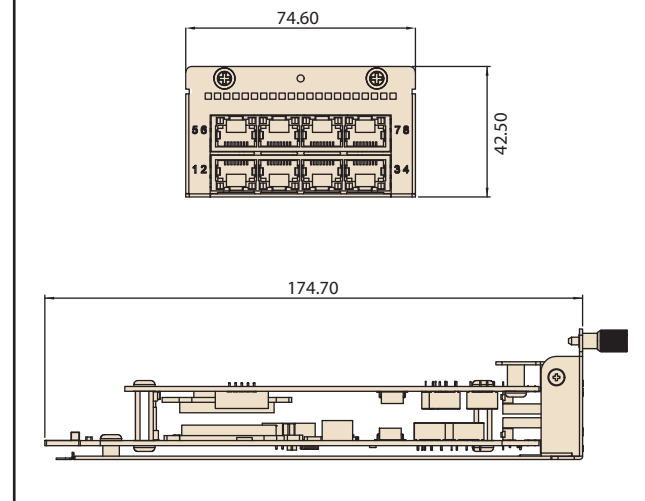
Front Panel Diagram



The definition of LAN Port2~8 LED is the same as LAN port1

Dimensions

Unit: mm



Ordering Information

Part Number	Type	Description
NMC-0807CB-08A1S00	Thumbscrew	8 Ports 1GbE RJ45