

**VKSI0297**

**CONNECTION TECHNOLOGY • CABLE SOCKETS /CONNECTORS TWO-SIDED PRE-ASSEMBLED**



**MECHANICAL DATA**

Cable length	0.5 m
Degree of protection (IP)	IP67
Suitable for trailing chain	No

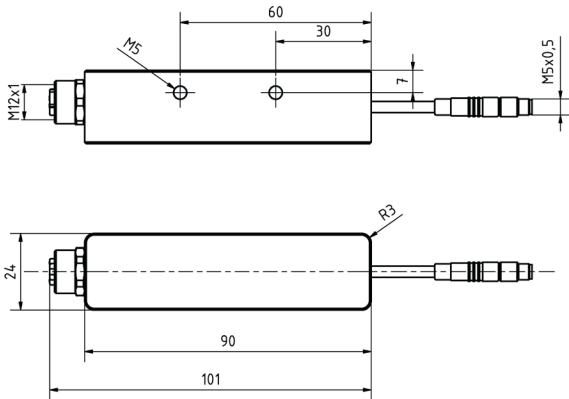
**ELECTRICAL DATA**

Connection type 1	Plug
Connection type 2	Bus
Number of pins, connection 1	4
Number of pins, connection 2	4
Plug connector type, connection 1	M5
Plug connector type, connection 2	M12

**OTHER DATA**

Communication interface supported	Ethernet
Oil and cooling lubricants	No
Plug-in direction	Straight
Robotics	No
Welding area	No

## DIMENSIONAL DRAWING



## INSTALLATION



Mounting / Installation may only be carried out by a qualified electrician!

## DISPOSAL



## SAFETY WARNINGS

Before initial operation, please make sure to follow all safety instructions that may be provided in the product information!

Never use these devices in applications where the safety of a person depends on their functionality.