

PY930902**SAFETY SYSTEMS • LASER CURTAINS**

Radar sensors are used primarily as signal transducers for controlling automatic doors and gates. They detect the movement of persons and/or industrial trucks and, at the same time, are insensitive to soiling. Objects can be detected depending on their movement direction in order to optimize the opening cycles of the gates. In doing so, it is possible to mask out people so that the sensor responds only when vehicles approach. Furthermore, it is possible to eliminate interference caused by moving objects within the detection range of the sensor. Systems that are also equipped with presence detection monitor the area in front of a gate in order to prevent the gate leaf from coming into contact with vehicles or objects.

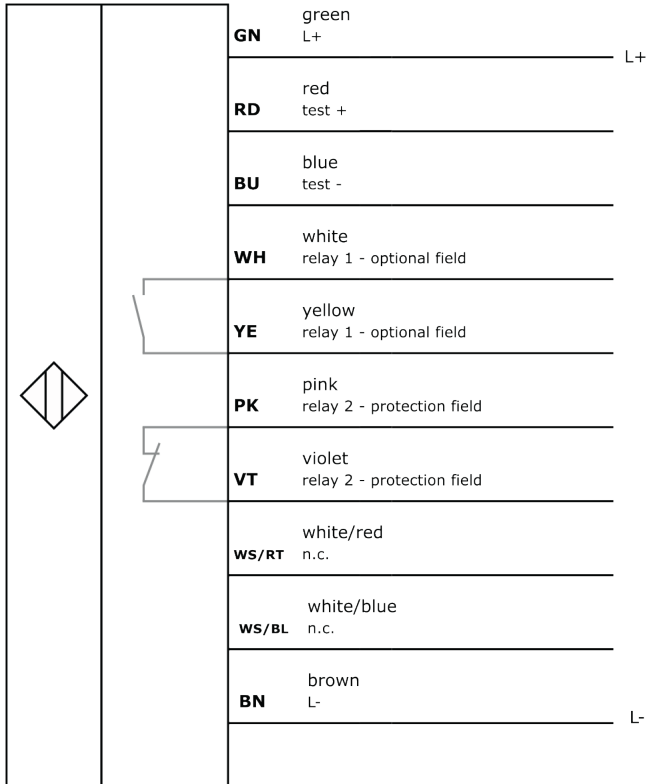
Other

Packaging dimensions	200mm x 110mm x 225.0mm
Shipping weight	1.05kg
Tariff code	85365019

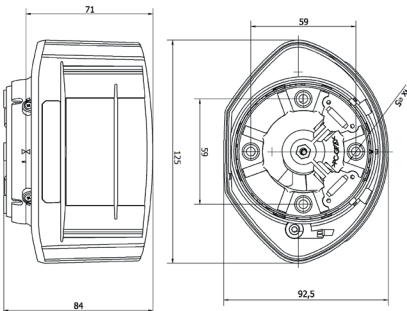
Classification

ipf product group	160
eClass 8.0	27144008
eClass 9.0	27144008
eClass 9.1	27144008
ETIM-5.0	EC000138
ETIM-6.0	EC000138
ETIM-7.0	EC000138

Connection



Dimensional drawing



Installation



Mounting / installation may only be carried out by a qualified electrician!

Disposal



Software

Please download the software or driver required for operating your new device on our homepage: www.ipf.de

Safety warnings

Before initial operation, please make sure to follow all safety instructions that may be provided in the product information. Never use these devices in applications where the safety of a person depends on their functionality. LED lighting systems can generate intensive UV radiation, which can damage your eyes in case of improper use. The manufacturer cannot be held responsible for damages that result from improper use or connection.