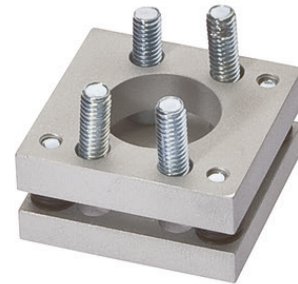


AP000018

ACCESSORIES • MOUNTING



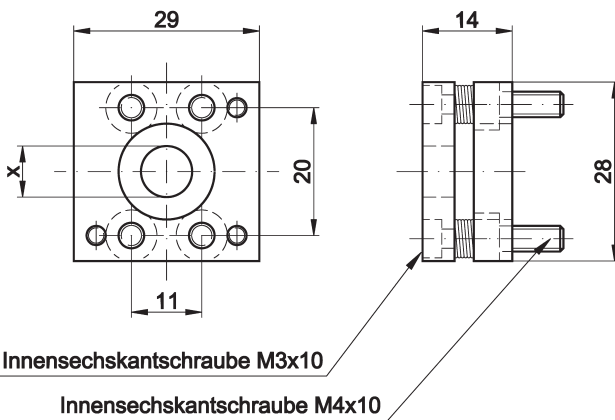
MECHANICAL DATA

Diameter/width of the fastening holes for sensor	4.5 mm
Height	14 mm
Length	28 mm
Material	Aluminium
Mounting type	Screw
Number of boreholes	4
Version	Flange
Weight	27 kg
Width	29 mm

OTHER DATA

Scope of delivery	Mounting material and precision flange
-------------------	--

DIMENSIONAL DRAWING



INSTALLATION

DISPOSAL



Mounting / Installation may only be carried out by a qualified electrician!



SAFETY WARNINGS

Before initial operation, please make sure to follow all safety instructions that may be provided in the product information!

Never use these devices in applications where the safety of a person depends on their functionality.