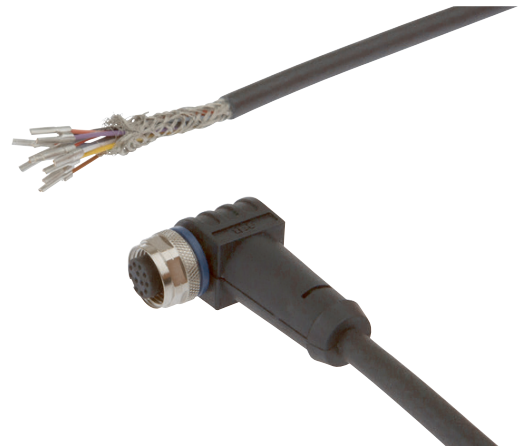


VKA05C21

CONNECTION TECHNOLOGY • CABLE SOCKETS /CONNECTORS ONE-SIDED PRE-ASSEMBLED

ipf cable sockets are used primarily for establishing the electrical connection of sensors. Their features are characterized by rugged design, the highest protection classes (IP67 | IP68 | IP69K) and, if desired, with 360° shielding. With the features: bus-ready, suitable for use with drag chains and robots, resistance to oil and chemicals, resistance to welding sparks, their resistance to cleaning agents or high-pressure and steam-jet cleaning, the expanded temperature range of up to +230°C, the rapid interconnection technology and special data transmission properties, the cable sockets meet all requirements in automation technology.



MECHANICAL DATA

Ambient temperature (MAX)	90 °C
Ambient temperature (MIN)	-30 °C
Cable length	10 m
Cable sheath color	Black
Contact body material	CuZn
Contact coating material	Gold
Degree of protection (IP)	IP67
Housing material	TPU
Material of cable sheath	PUR (Polyurethane)
Max. tightening torque	1 Nm
Number of wires	12
Perm. ambient temperature of cable, fixed cable (MAX)	90 °C
Perm. ambient temperature of cable, fixed cable (MIN)	-40 °C
Perm. ambient temperature of cable, flexible cable (MAX)	60 °C
Perm. ambient temperature of cable, flexible cable (MIN)	-25 °C
Positioning of cable feed, field side	Angled
Seawater-resistant	Yes
Suitable for trailing chain	Yes
Wire assembly	18 x 0.1mm
Wire cross section	0.14 mm ²

ELECTRICAL DATA

Flow resistance	5 mOhm
Line diameter	6 mm
Number of pins	12
Rated current I _n	1.5 A
Rated voltage	30 V
Shielded	Yes
Type of cable	Multi-core
Type of electrical connection, field side	M12
Type of electrical connection, housing side	Free conductor end

ELECTRICAL DATA

Type of plug-in contact, field side Female (socket)

With LED display No

OPTICAL DATA

Degree of soiling 3

OTHER DATA

Acid and alkali-resistant Yes

Flame resistant No

Free of LABS Yes

Halogen-free Yes

Hydrolysis-proof Yes

IR-networked No

Oil and cooling lubricants Yes

Ozone and UV-resistant Yes

Recyclable Yes

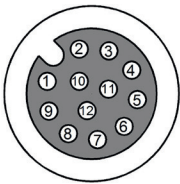
RoHs-compliant Yes

Silicone-free Yes

Suitable for trailing chain and torsion resistant Yes

Welding area Yes

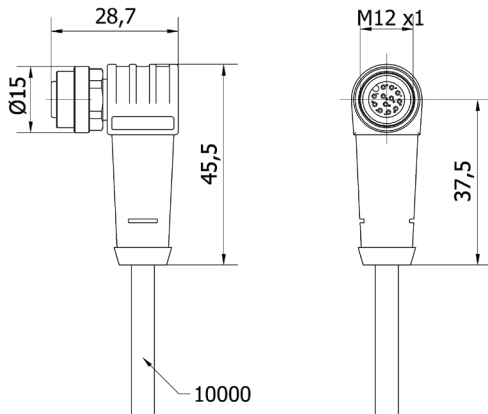
CONNECTION



Colors: 1 = BN (brown), 2 = BU (blue), 3 = WH (white), 4 = GN (green), 5 = PK (pink), 6 = YE (yellow), 7 = BK (black), 8 = GY (gray), 9 = RD (red), 10 = VT (violet), 11 = GY/PK (gray/pink), 12 = RD/BU (red/blue)

Functions:

DIMENSIONAL DRAWING



INSTALLATION

DISPOSAL



Mounting / Installation may only be carried out by a qualified electrician!



SAFETY WARNINGS

Before initial operation, please make sure to follow all safety instructions that may be provided in the product information!

Never use these devices in applications where the safety of a person depends on their functionality.