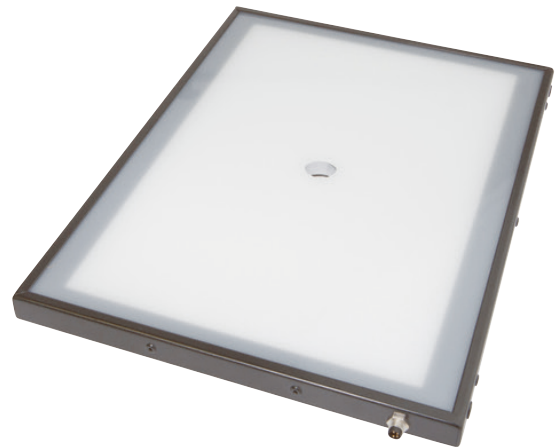


AO98E183

LED-LIGHTS • ADDITIONAL LIGHTS FOR CAMERA SYSTEMS

For any kind of inspection tasks with a camera sensor the lighting is essential, as only high-contrast images enable reproducible evaluations. Here the lighting has a decisive influence. The choice depends on different factors such as the distance to the test object, its size, the component criteria to be tested or the expected environmental conditions.



MECHANICAL DATA

Ambient temperature (MAX)	40 °C
Degree of protection (IP)	IP40
Front screen material	Acrylic glass
Height	20 mm
Housing design	Cuboid
Housing material	Aluminium
Length	340 mm
Width	250 mm

ELECTRICAL DATA

Max. current consumption	900 mA
Nominal supply voltage (MAX)	24 V
Nominal supply voltage (MIN)	24 V
Number of pins	4
Type of electrical connection	Connector M8
Voltage type	DC

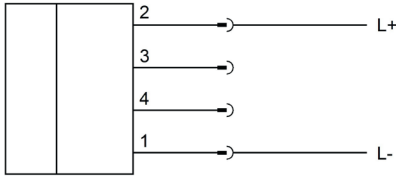
OPTICAL DATA

Actual camera illumination	Yes
Light source	Polarity free red light
Light version	Surface area light
Radiation angle	120 °
With lamp	Yes

OTHER DATA

Risk groups	0
-------------	---

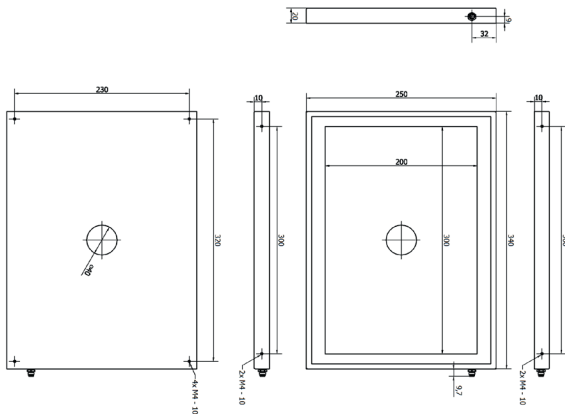
CONNECTION



Colors: 1 = BN (brown), 2 = WH (white), 3 = BU (blue), 4 = BK (black)

Functions: 1 = L-, 2 = L+, 3 = n.c., 4 = n.c.

DIMENSIONAL DRAWING



INSTALLATION



Mounting / Installation may only be carried out by a qualified electrician!

DISPOSAL



SAFETY WARNINGS

Before initial operation, please make sure to follow all safety instructions that may be provided in the product information!

LED lighting systems can generate very intense radiation, which, if used improperly, can possibly damage the eyes. For damage caused by improper use or connection, the manufacturer cannot be held responsible.

Never use these devices in applications where the safety of a person depends on their functionality.